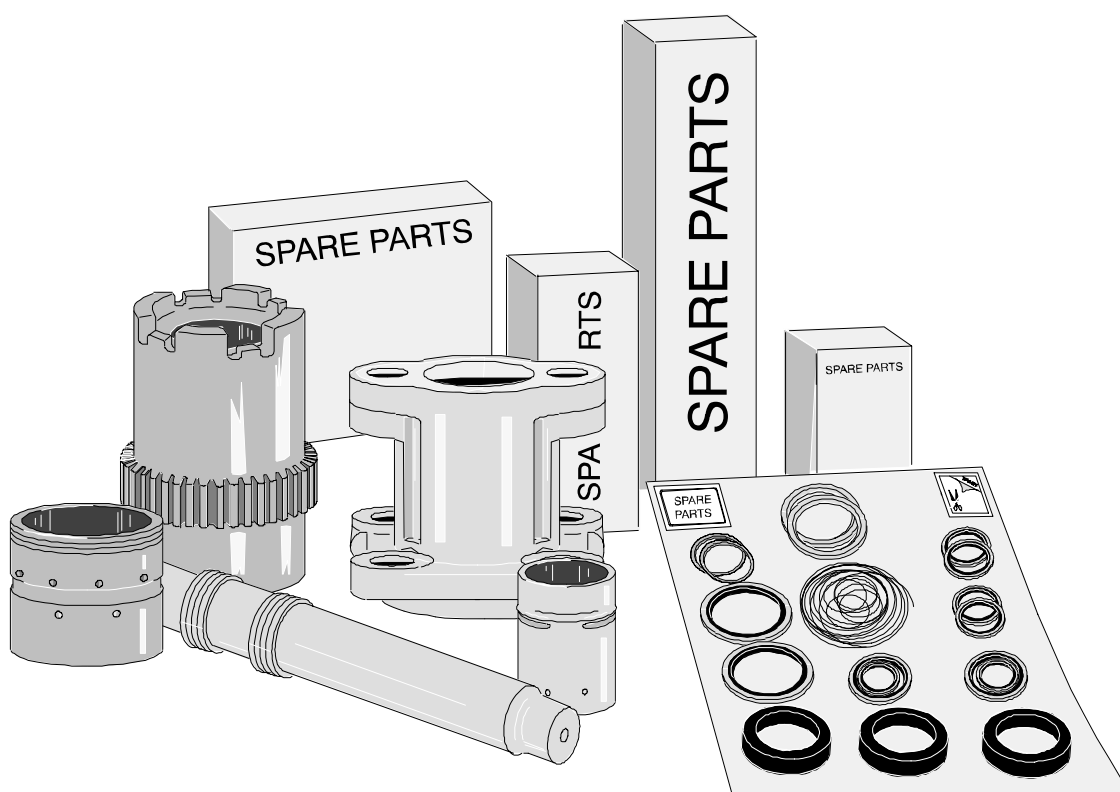
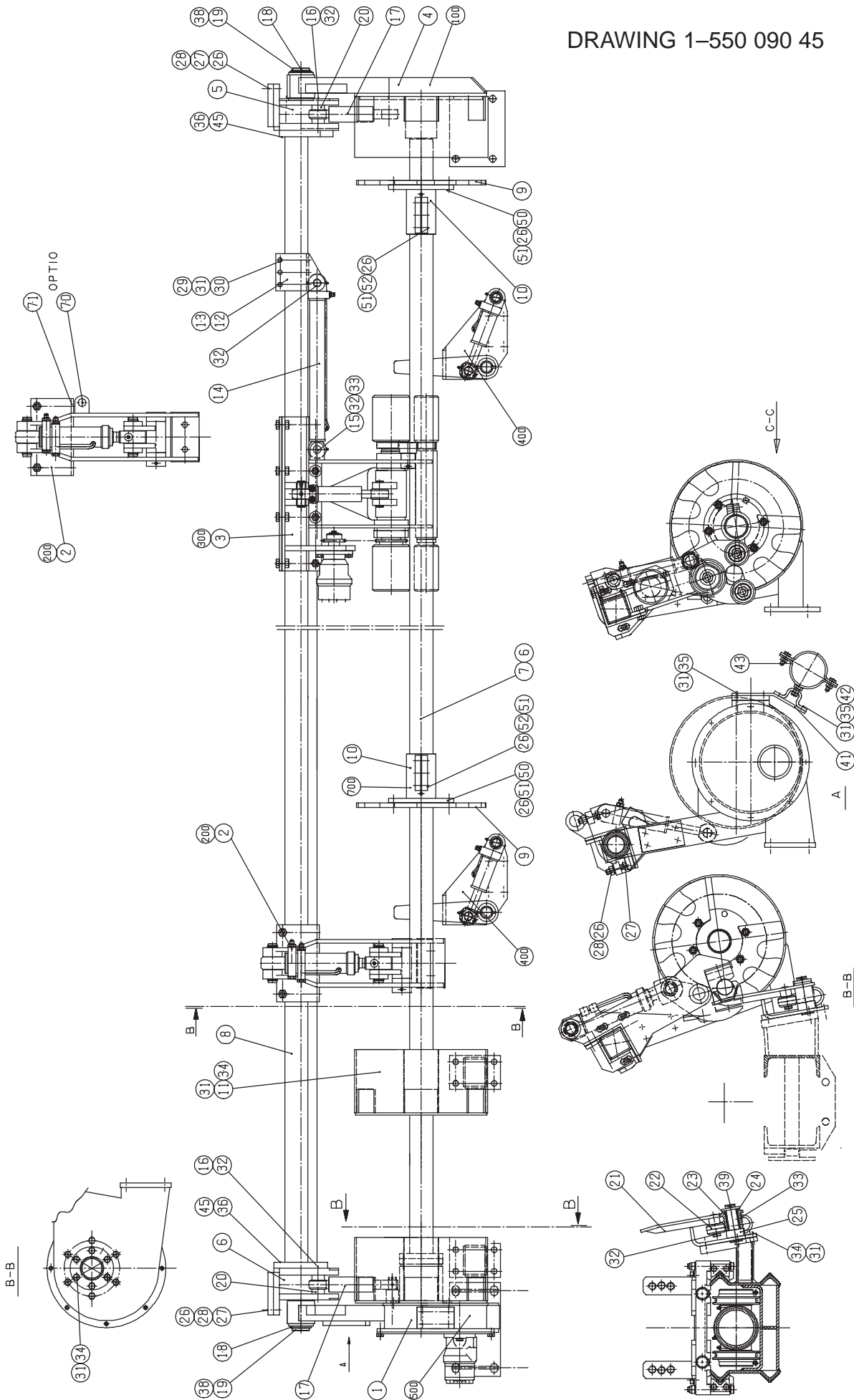




# ROD CHANGER

---



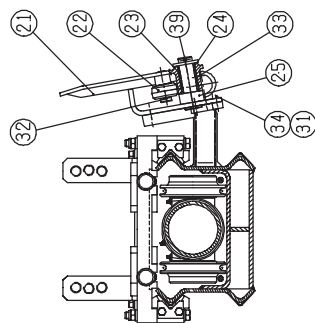
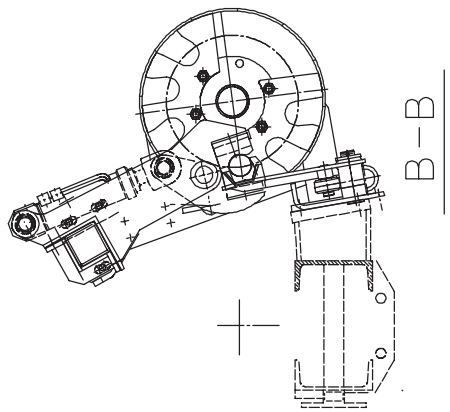
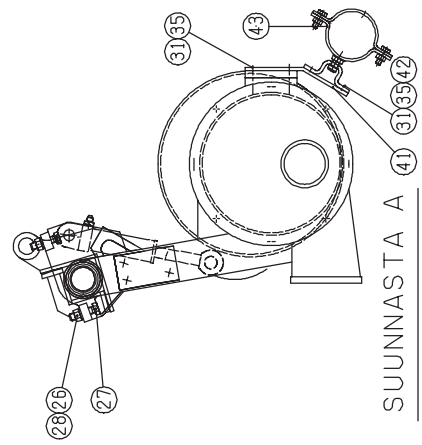
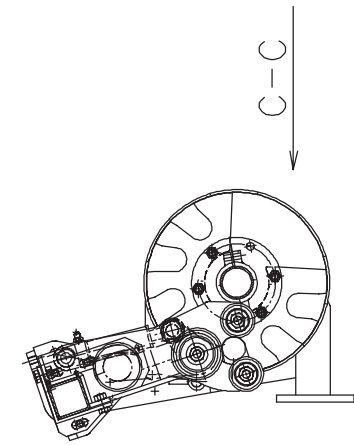
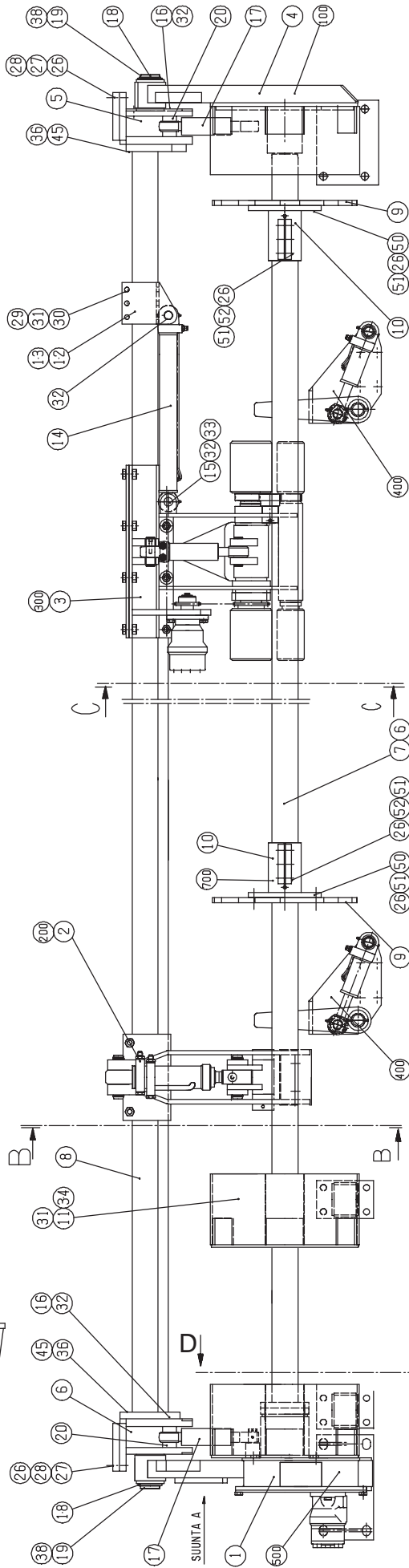
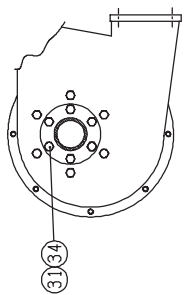


# ROD CHANGER

## 550 796 57

Ref	Part No.	Description	Standard designation	Qty
34	442 776 90	HEXAGON HEAD SCREW	M12X35 8.8 SFS 2064	10
36	800 538 69	HEXAGON HEAD SCREW	M16X45 m8.8 SFS 2064	6
45	133 168 28	WASHER		6
46	550 796 74	ASSEMBLY	SEP. PART LIST	1
	233 467 98	ASSEMBLIES	SEP. PART LIST	1
		PARTS TO BE ORDERED SEPARATELY:		
31	442 776 90	HEXAGON HEAD SCREW	M12X35 8.8 SFS 2064	10
35	800 531 79	HEXAGON HEAD SCREW	M12x40 m8.8 SFS 2064	12
41	236 135 58	BRACKET		1
42	811 260 29	LOCK NUT	M12 m8 BH8	2
43	050 140 08	BRACKET	(	1
44	207 256 58	SIGN	"	1

D-D

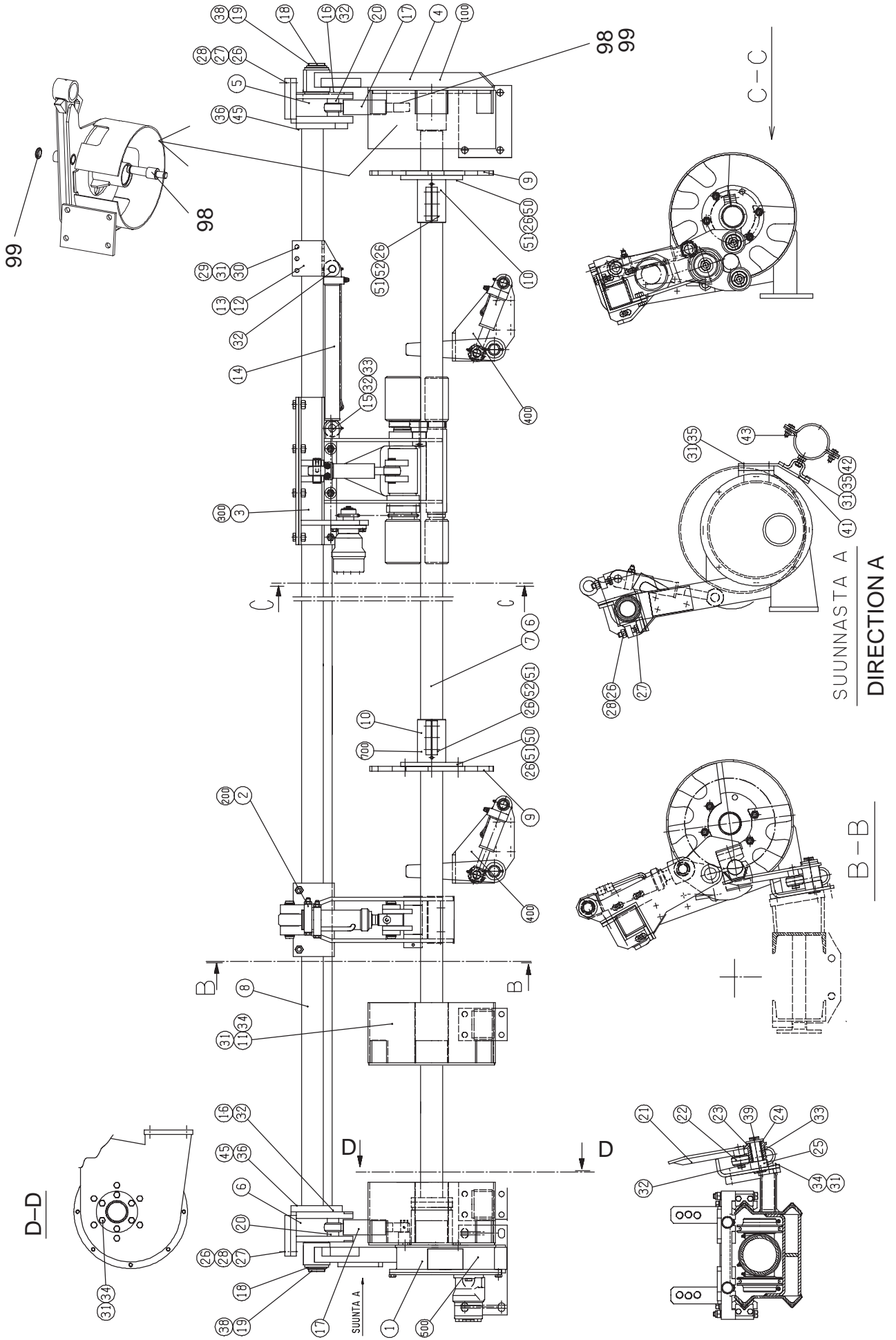


# PURCHASE SETS

RC 1514, 2" – 1 3/4", WITH ROLLERS

## 233 467 98

Ref	Part No.	Description	Standard designation	Qty
6	235 842 68	TUBE		1
8	237 351 28	SQUARE TUBE		1
11	237 182 28	BOX		1
100	233 251 68	RC FRONT FRAME PARTS	SEP. PART LIST	1
200	258 218 11	FIXED JAW SELECTOR	SEP. PART LIST	1
300	233 253 18	ROTATION MECHANICS PARTS	SEP. PART LIST	1
400	233 254 48	CLOSING MECHANICS PARTS	SEP. PART LIST	2
500	233 255 78	RC REAR FRAME PARTS	SEP. PART LIST	1
700	233 258 58	FEED PLATE ASSY'	SEP. PART LIST	2



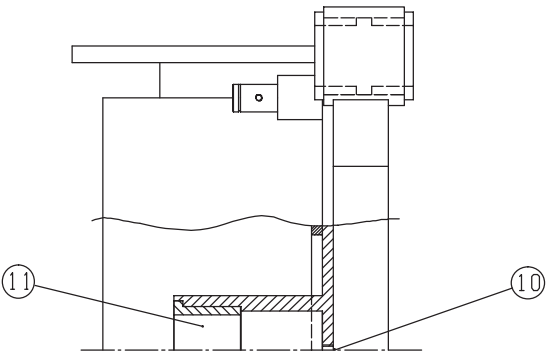
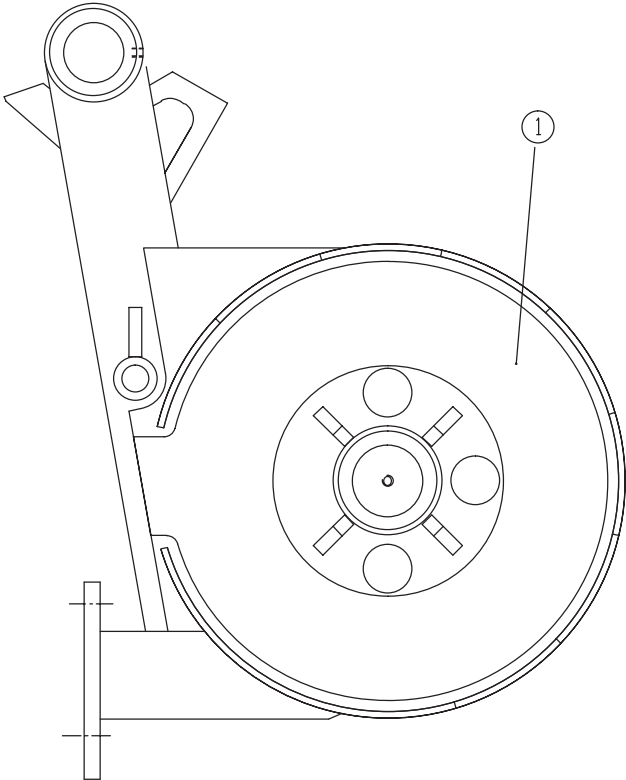
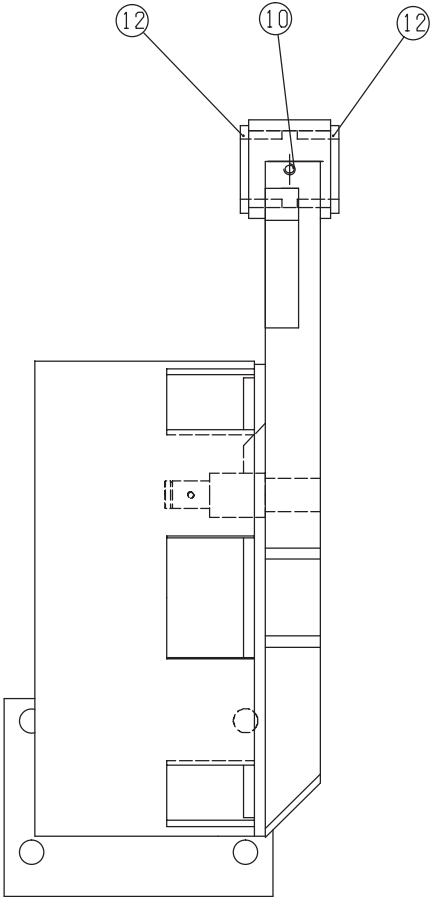
# RC FRONT FRAME PARTS

## 233 251 68

Ref	Part No.	Description	Standard designation	Qty
4	258 220 08	FRONT FRAME ASSY	SEP. PART LIST	1
5	235 837 98	TILT ARM BUSHING	SEP. PART LIST	1
16	049 769 98	SHAFT		1
17	550 077 36	HYDR.CYLINDER	SEP. PART LIST	1
18	476 694 48	RING		1
19	049 767 38	SHAFT		1
20	133 008 48	RING		2
26	850 687 49	DOUBLE LOCK WASHER	FOR BOLT M16	2
27	801 745 59	HEXAGON HEAD SCREW	M16X60 – 8.8	2
28	800 485 09	HEXAGON NUT	M16 – 8	2
32	422 056 20	CIRCLIP	25X1,2	3
38	422 100 40	CIRCLIP	55X2 DIN 471	1
98	872 525 89	LOCK NUT	(M30X1,5)	1
99	550 531 10	SHAFT		1

# FRONT FRAME ASSY

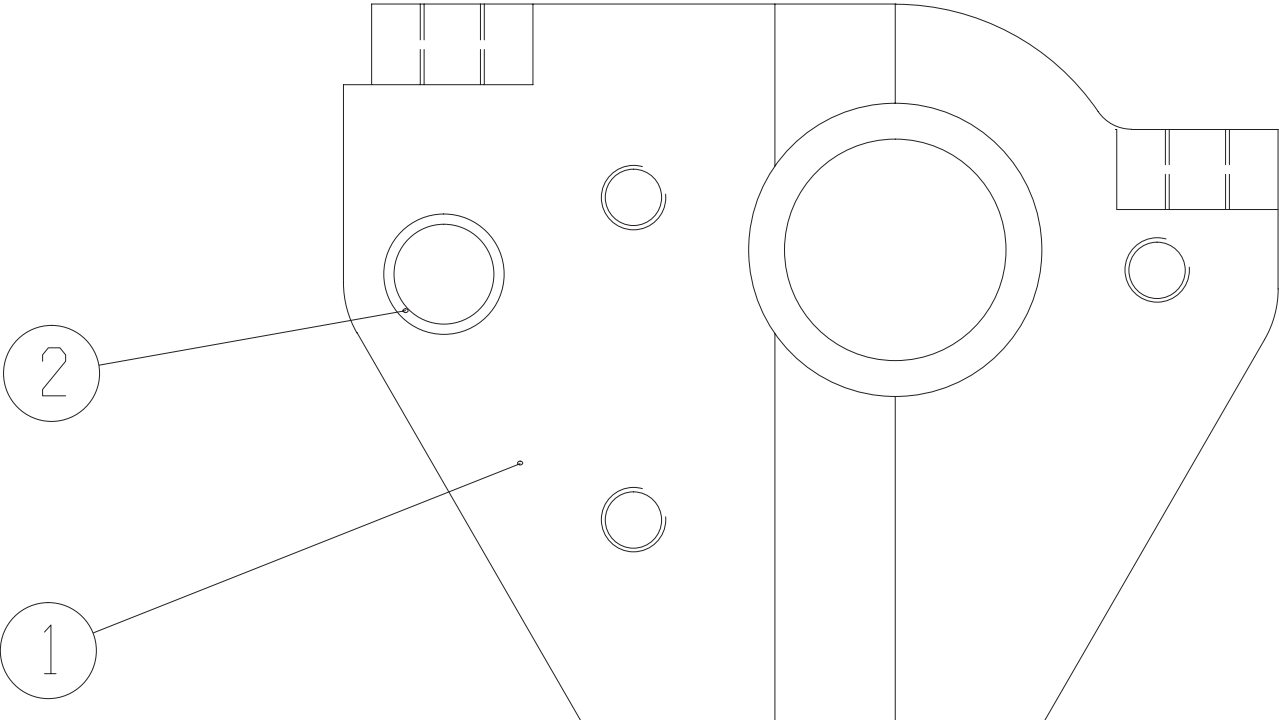
## 258 220 08



Ref	Part No.	Description	Standard designation	Qty
1	258 200 98	FRONT FRAME		1
10	572 102 40	GREASE NIPPLE	DIN 71412 AR 1/8	2
11	815 037 79	FLANGE BEARING		1
12	233 376 48	FLANGE BEARING		2

TILT ARM BUSHING

235 837 98

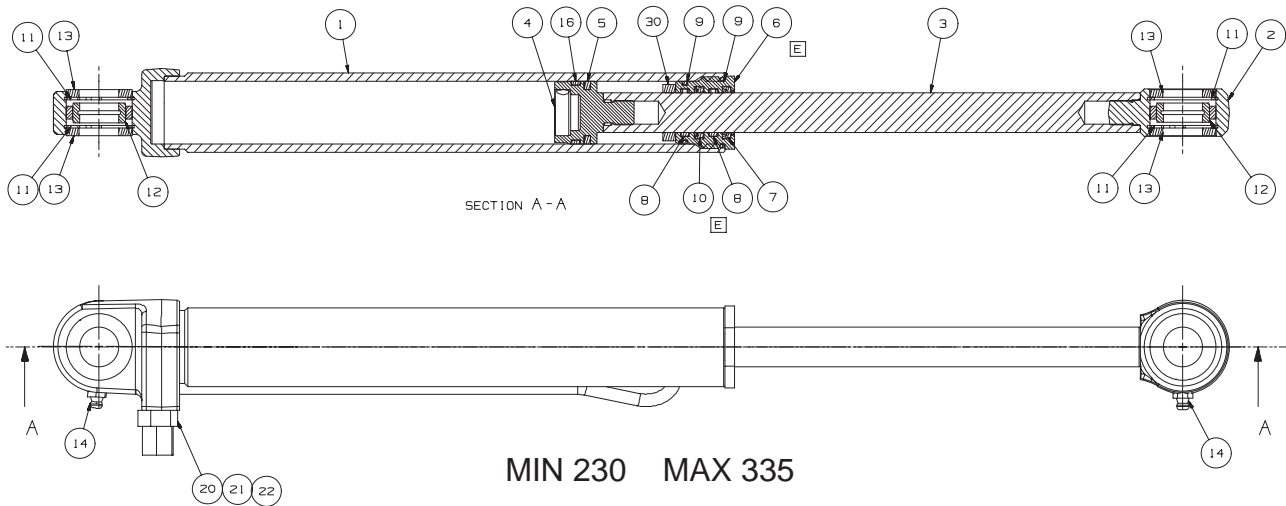


Ref	Part No.	Description	Standard designation	Qty
1	258 202 48	TILT ARM	BOTTOM	1
2	085 546 08	BUSHING, D30/25-20		2

# CYLINDER

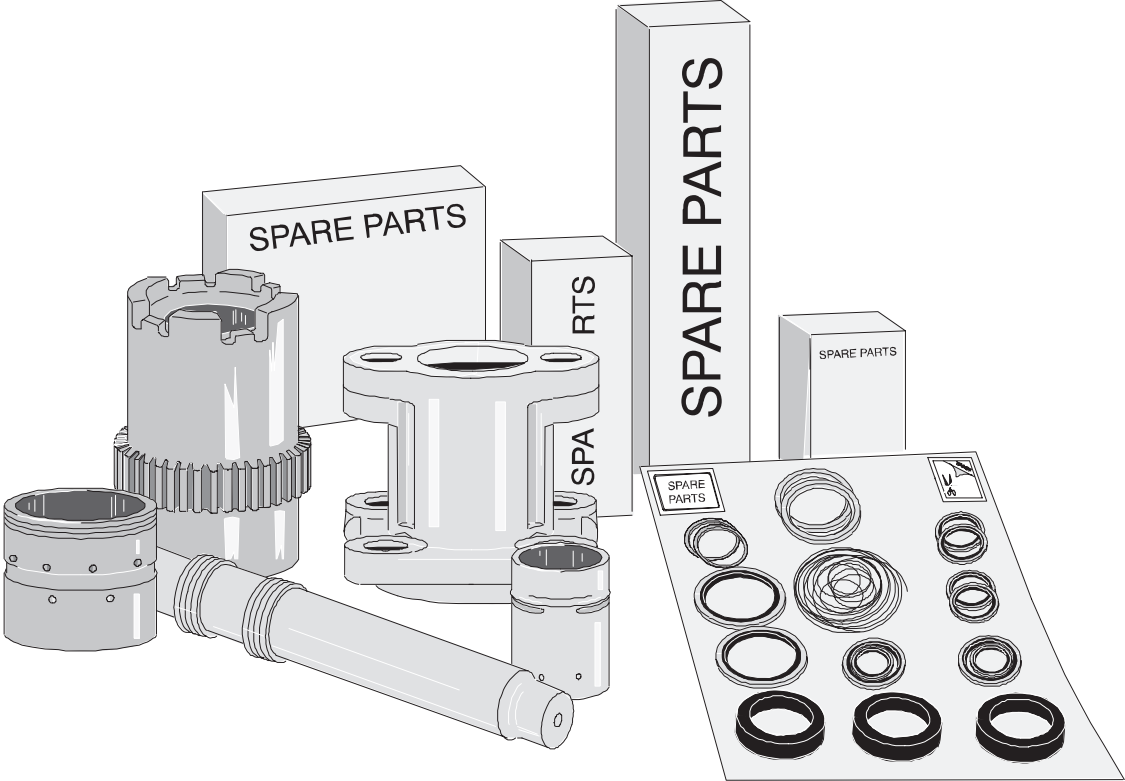
## 550 077 36

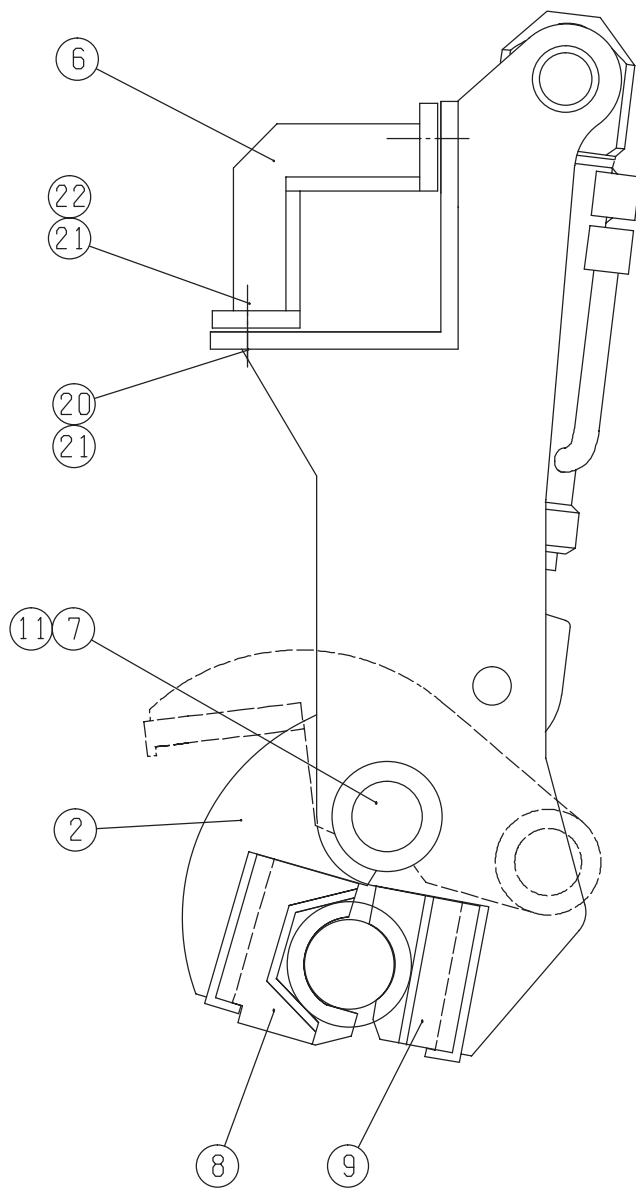
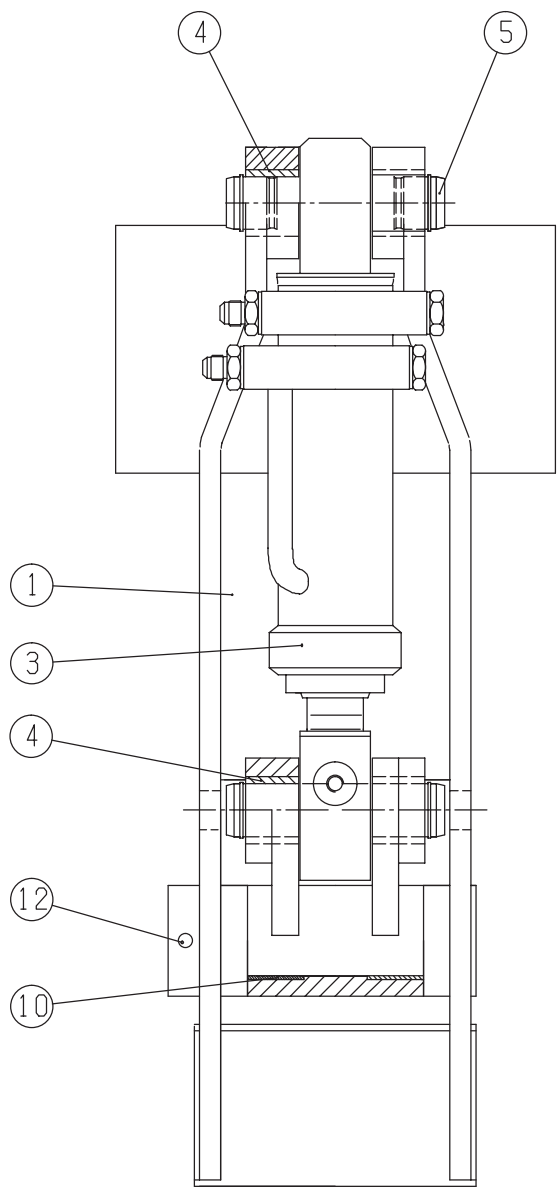
DRAWING 2-550 139 80-F



Ref	Part No.	Description	Standard designation	Qty
1	320 812 78	CYLINDER TUBE D40		1
2	049 402 68	TERMINAL		1
3	053 119 58	PISTON TUBE		1
4	550 039 78	PISTON	D 40	1
5	550 044 65	PISTON SEAL	40,0x29,0x4,2, PU 93 Shore A	1
6	550 639 15	COVER		1
7	550 647 11	WIPER	DA22-25x33,6x5,3	1
8	550 647 17	PISTON ROD GUIDE RING	25x5,6x2,5	2
9	522 131 00	O-RING	34,2X3-1	2
10	550 647 18	U-SEAL	Zurcon L-cup RLS100250, 25x33x5,6	1
11	422 241 30	CIRCLIP	42X1,75	4
12	850 698 89	PLAIN BEARING		2
13	049 774 68	RING	RC 412	4
14	572 102 40	GREASE NIPPLE	AR 1/8	2
15	801 811 49	PLUG	1/8" DIN 906	2
16	550 044 68	SLIDE RING	40,0 x 35,0 x 5,6	1
21	857 302 19	PLUG	FNTX-S10	2
22	816 701 89	STRAIGHT THREAD ADAPTER	40X-S10-1/4"(9/16-18JIC)	2
PARTS TO BE ORDERED SEPARATELY:				
800	550 647 67	SEAL KIT	INCL. PARTS 5, 7, 8, 9, 10, 16	1

# SPARE PARTS





# FIXED JAW SELECTOR

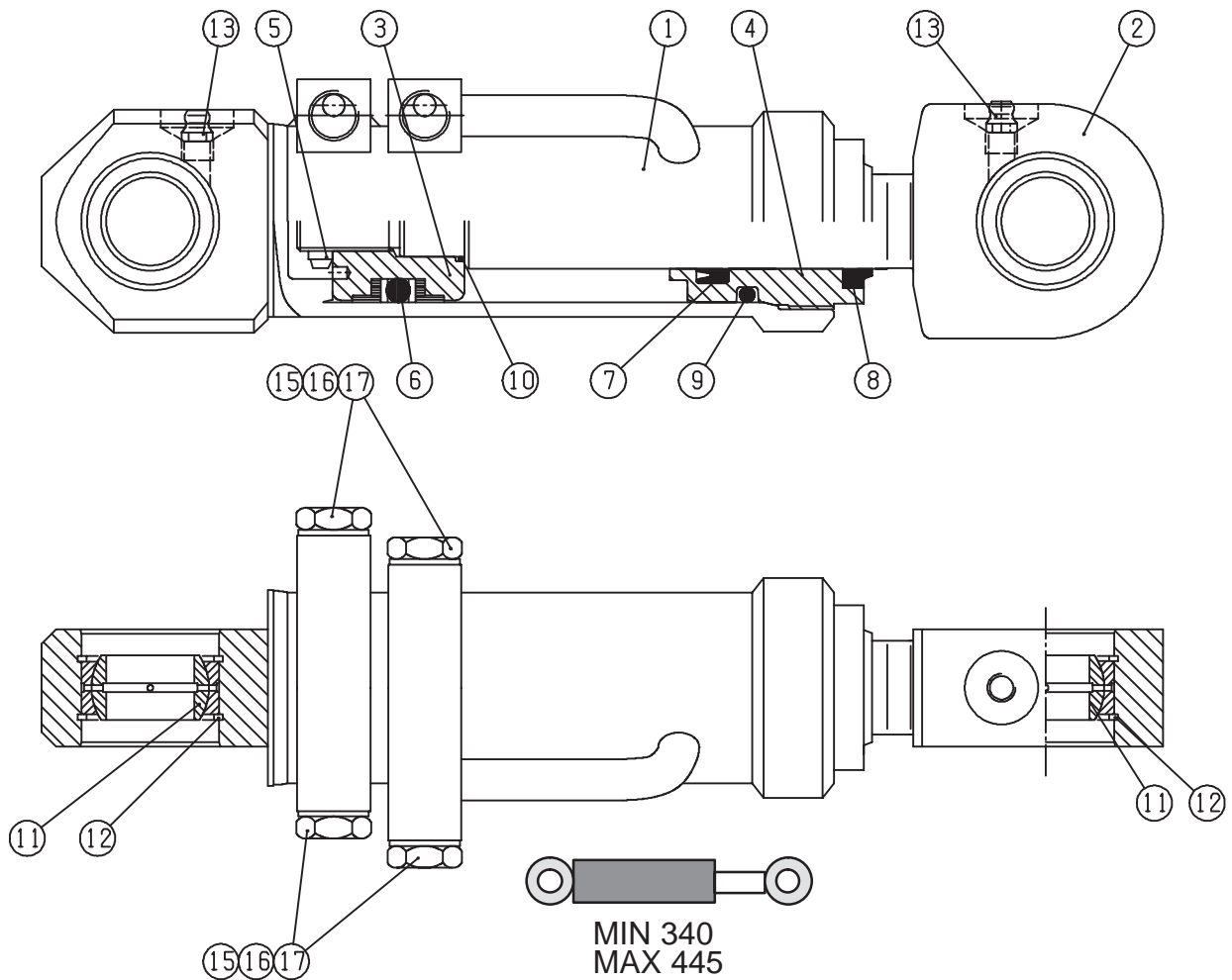
## 258 218 11

Ref	Part No.	Description	Standard designation	Qty
1	258 206 58	FRAME		1
2	237 767 08	ROTATION JAW		1
3	321 450 57	HYDR.CYLINDER ASSY	SEP.PART LIST	1
4	263 802 98	BUSHING		4
5	263 801 68	PIN		2
6	098 507 58	FASTENING PIECE RC812		1
7	090 205 48	SHAFT RC812		1
10	813 600 09	BEARING BUSHING WB 800 4030		2
11	572 102 40	GREASE NIPPLE	DIN 71412 AR 1/8	1
12	800 087 49	SPRING PIN	8X60	1
20	442 219 80	BOLT	M16X50 m8.8 SFS 2064	4
21	850 687 49	LOCK WASHER	FOR BOLT M16	8
22	811 259 69	NUT	VM16 m8 DIN 980	4
PARTS TO BE ORDERED SEPARATELY:				
<b>UPPER:</b>				
8	235 848 28	JAW	FOR 45 mm (1 3/4") STEELS	1
	235 654 78	JAW	FOR 51 mm (2") STEELS	1
	236 080 38	JAW Extension rod	FOR 60 mm (2 3/8") STEELS	1
	236 184 78	JAW (factory installation) MF-rod	FOR 60 mm (2 3/8") STEELS	1
	236 219 78	JAW	FOR 3" / 3.5" TUBE	1
9	236 421 18	JAW	FOR 45 mm (1 3/4") STEELS	1
	236 422 48	JAW	FOR 51 mm (2") STEELS	1
	236 423 78	JAW Extension rod	FOR 60 mm (2 3/8") STEELS	1
	236 185 08	JAW (factory installation) MF-rod	FOR 60 mm (2 3/8") STEELS	1
	091 060 18	JAW	FOR 3" / 3.5" TUBE	1
<b>LOWER:</b>				
8	236 186 28	JAW	FOR 45 mm (1 3/4") STEELS	1
	236 182 18	JAW	FOR 51 mm (2") STEELS	1
	236 184 78	JAW	FOR 60 mm (2 3/8") STEELS	1
	236 219 78	JAW	FOR 3" / 3.5" TUBE	1
9	236 187 58	JAW	FOR 45 mm (1 3/4") STEELS	1
	236 183 48	JAW	FOR 51 mm (2") STEELS	1
	236 185 08	JAW	FOR 60 mm (2 3/8") STEELS	1
	091 060 18	JAW	FOR 3" / 3.5" TUBE	1

# HYDR. CYLINDER ASSY

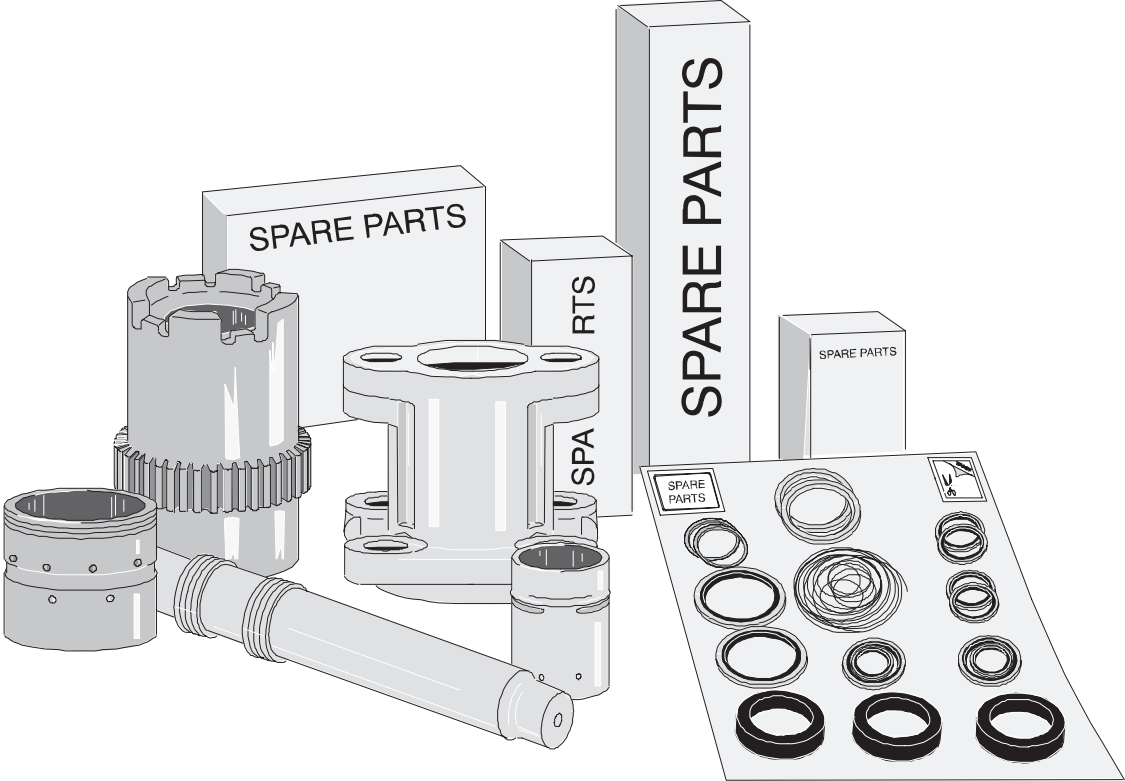
D55 / 32

## 321 450 57

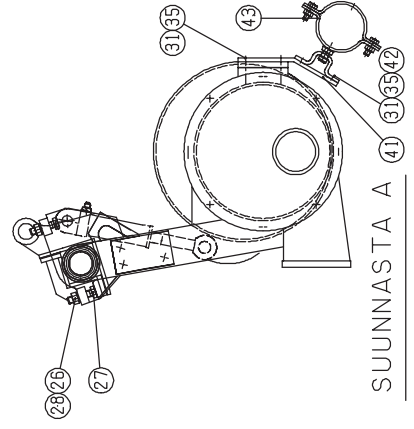
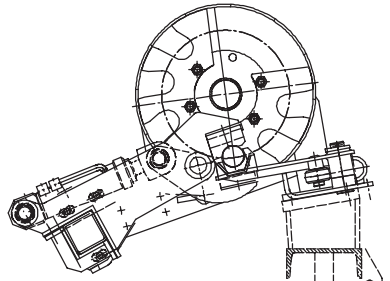
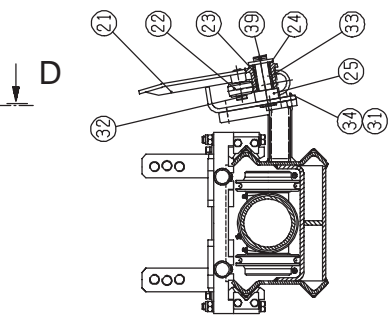
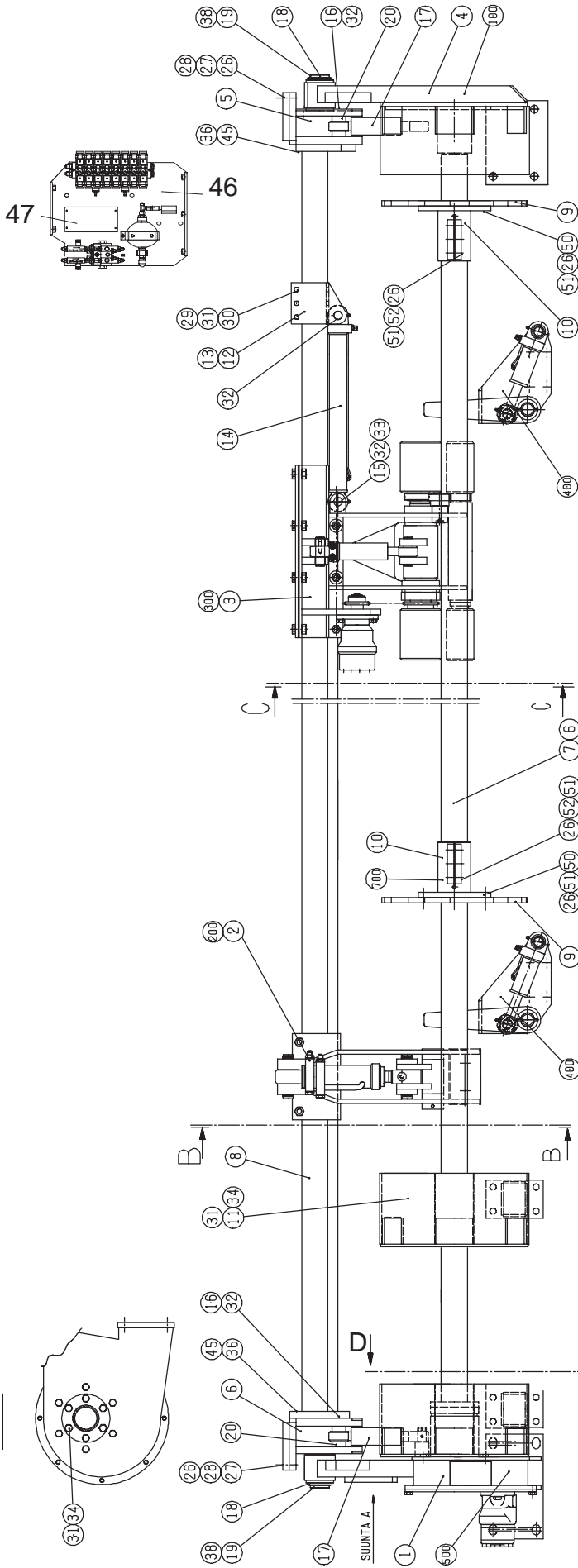


Ref	Part No.	Description	Standard designation	Qty
1	321 452 07	CYLINDER TUBE	D55	1
2	321 451 87	PISTON ROD	D32	1
3	155 169 28	PISTON		1
4	166 082 68	COVER		1
5	874 541 09	LOCK NUT	FU 04 SS (M20X1,0)	1
6	817 742 59	PISTON SEAL	DBM 55/39X18 ( 5 55-39-7,5-29,5)	1
7	806 599 09	U-SEAL	BS 3243 P5008	1
8	806 119 19	WIPER	AM 3022 Z5053 (AUAS 32-45-7-10)	1
9	522 153 80	O-RING	44,2X5,7-1 SMS 1586	1
10	817 741 29	O-RING	23,3X2,4-1 SMS 1586	1
11	883 349 99	SPHERICAL PLAIN BEARING	INA GE 30 DO-2RS	2
12	422 245 40	CIRCLIP	47X1,75 DIN 472	4
13	572 102 40	GREASE NIPPLE	DIN 71412 AR 1/8	2
15	812 604 09	PLUG	R3/8	4
16	801 031 49	BONDED SEAL	U 17,4X24X1,5 D2=19,1	4
17	856 040 39	STRAIGHT THREAD CONNECTOR	9/16-18 JIC	2
	883 993 39	SEAL KIT		1

# SPARE PARTS



D-D



SUUNTA A  
DIRECTION A

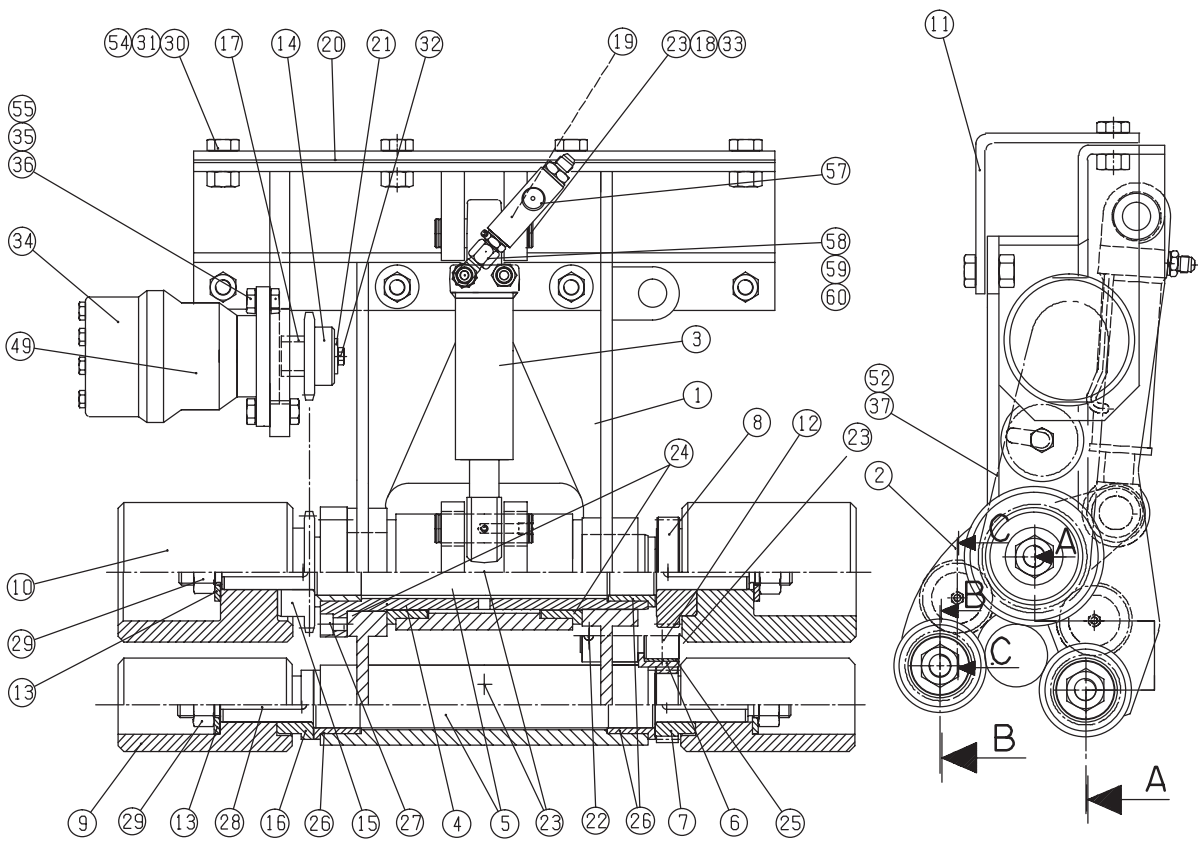
B-B

C-C

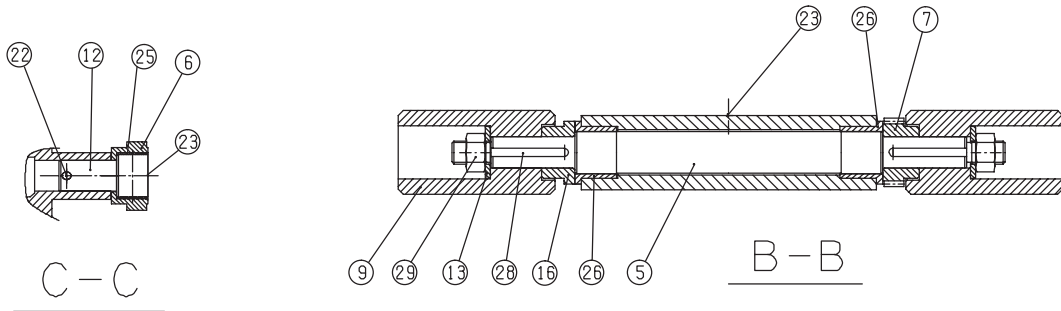
## ROTATION MECHANICS PARTS

# 233 253 18

Ref	Part No.	Description	Standard designation	Qty
3	258 219 41	ROTATION MECHANISM ASSY	SEP. PART LIST	1
12	090 776 78	FEED EXTEN. CYLIN. MOUNT. PLA.		1
13	090 778 28	FASTENING PIECE		1
14	550 077 37	HYDR.CYLINDER	SEP. PART LIST	1
15	085 548 68	SHAFT		1
29	811 260 29	LOCK NUT	VM12 – 8 ,	6
30	442 776 90	HEXAGON HEAD SCREW (FULL THREAD)	M12X35 – 8.8	6
31	851 068 09	DOUBLE LOCK WASHER	M12	12
32	422 056 20	CIRCLIP	25X1,2	3
33	572 102 40	GREASE NIPPLE	AR 1/8	1

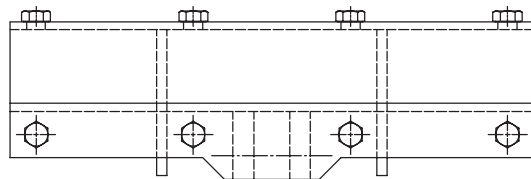


A-A



C-C

B-B

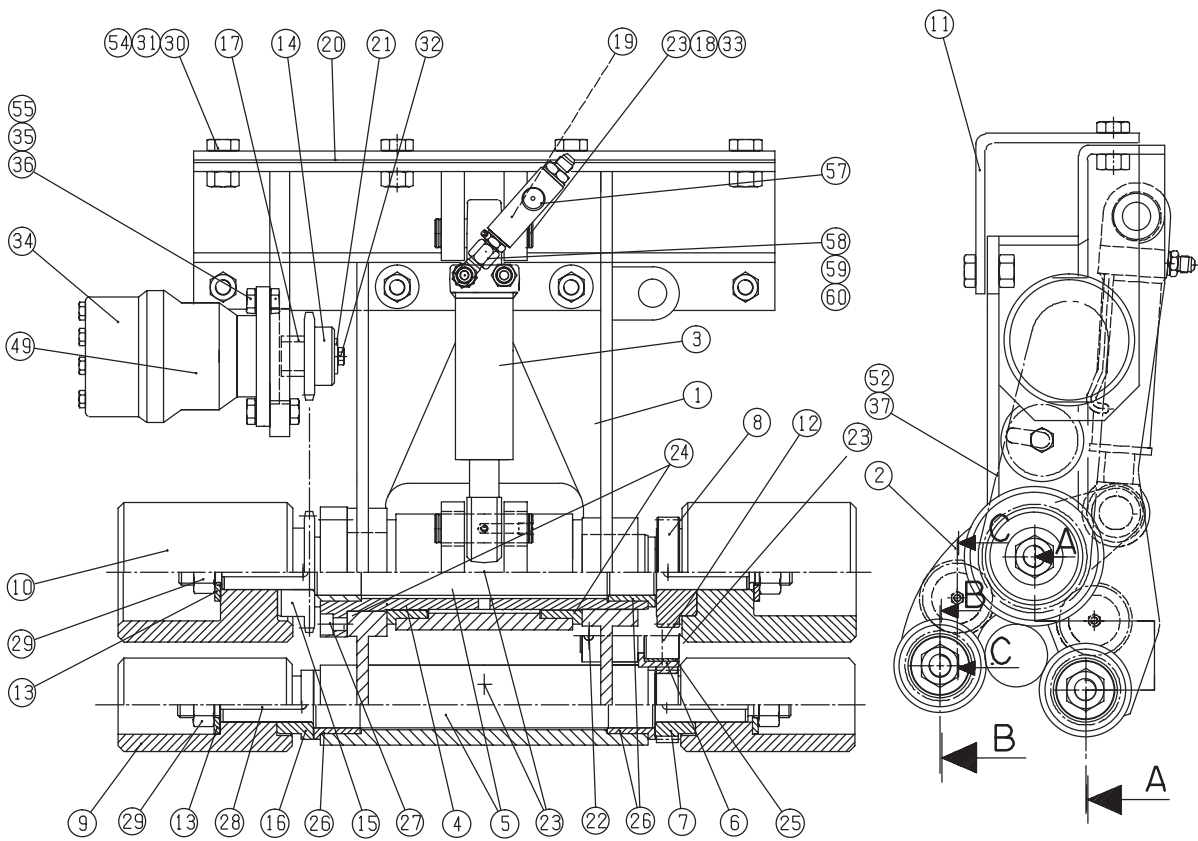


# ROTATION MECHANISM

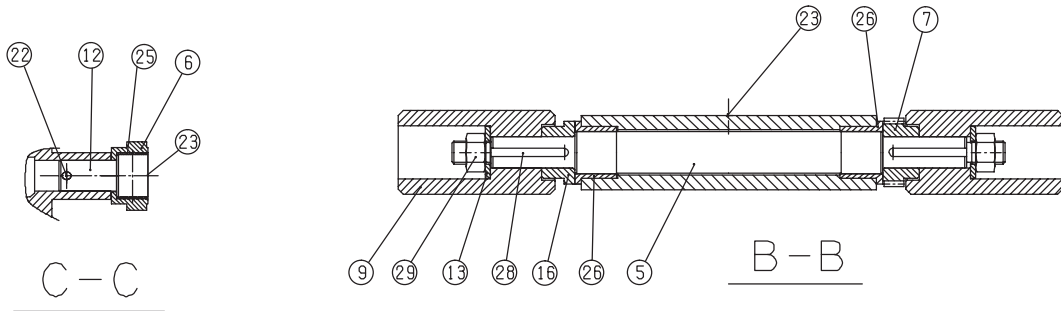
ROD (1 1/4", 1 1/2", 1 3/4" AND 2")

## 258 219 41

Ref	Part No.	Description	Standard designation	Qty
1	258 208 08	ROTATION MECHANISM FRAME		1
2	258 210 08	ROTATION JAW		1
3	550 077 38	HYDR. CYLINDER	SEP. PART LIST	1
4	090 188 78	HOLLOW SHAFT		1
5	090 189 08	SHAFT RC812		3
6	090 190 68	GEAR		2
7	090 191 98	GEAR RC812		2
8	090 192 18	GEAR RC812		1
9	135 940 28	ROTATIONROLLER		4
10	135 939 68	ROTATIONROLLER		2
11	098 512 28	WEAR PIECE RC812		1
12	085 838 38	PIN RC812		2
13	085 839 68	WASHER		6
14	085 840 28	SPROCKET WHEEL RC812		1
15	090 196 28	SPROCKET WHEEL RC812		1
16	085 841 58	SPACER RC812		2
17	085 842 88	SPACER RC812		1
18	085 548 68	SHAFT		2
19	085 546 08	BUSHING, D30/25-20		4
20	003 939 58	SHIM	S=0,5 CF180	20
21	041 422 08	PLATE		1
22	800 085 99	SPRING PIN	DIN 7343	2
23	572 102 40	GREASE NIPPLE	DIN 71412 AR 1/8	5
24	813 841 19	FLANGE BEARING JF 65X35	SMS 778	2
25	813 600 09	BEARING BUSHING WB 800 4030		2
<b>ALTERNATIVE ROD 60mm</b>				
9	235 965 98	ROTATIONROLLER		4
10	235 966 18	ROTATIONROLLER		2

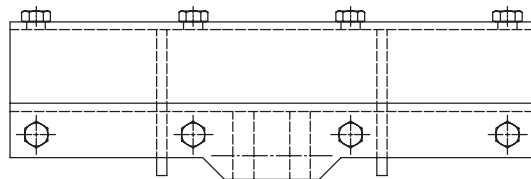


A-A



C-C

B-B



# ROTATION MECHANISM

ROD (1 1/4", 1 1/2", 1 3/4" AND 2")

## 258 219 41

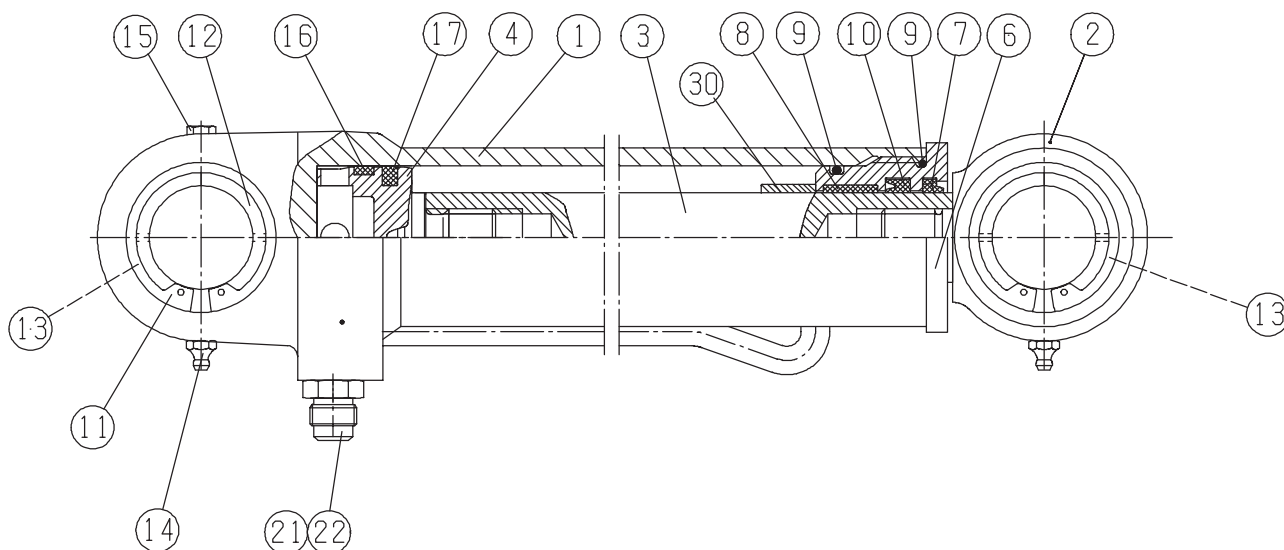
Ref	Part No.	Description	Standard designation	Qty
26	813 863 99	FLANGE BEARING JF 40X40	SMS 778	6
27	802 805 59	HEX.SOCKET HEAD CAP SCREW	M10X25 m8.8 DIN 912	2
28	134 163 08	KEY	RC-1012 / RC-1020	6
29	818 767 19	NUT	M22 m8 IL DIN 980	6
30	442 219 80	BOLT	M16X50 m8.8 SFS 2064	8
31	811 259 69	NUT	VM16 m8 DIN 980	8
32	808 802 29	BOLT	M8X20 m8.8 SFS-ISO 4017	1
33	422 056 20	CIRCLIP	DIN 471	4
34	550 163 52	GEROTOR (OMT 200)	SEP. PART LIST	1
35	800 533 29	BOLT	M12X55 m8.8 SFS 2063	2
36	811 260 29	NUT	VM12 m8 DIN 980	1
37	869 259 79	CHAIN	ISO 606-1982 0,619M 10B-1 39L	1
41	802 421 59	BOLT	SFS-ISO 4017 M6X16-8.8	7
42	801 774 59	NUT	M6 m8 DIN 985	2
43	800 823 09	BOLT	M10X20 m8.8 SFS-ISO 4017	1
49	816 702 09	STRAIGHT THREAD CONNECTOR	9/16-18JIC)	2
51	800 820 19	NUT	M10 m8 SFS 2067	1
52	806 589 99	CONNECTING LINK	ISO 606-1982 (SFS 2392)	1
54	850 687 49	LOCK WASHER	FOR BOLT M16	16
55	851 068 09	LOCK WASHER	FOR BOLT M12	46
57	806 981 89	ONE-WAY RESTRICTOR		1
58	858 385 89	SWIVEL NUT MALE ADAPTER	9/16-18JIC	1
59	817 180 79	SWIVEL NUT ELBOW	9/16-18JIC	1
60	856 040 09	STRAIGHT THREAD CONNECTOR	9/16-18JIC	1

# CYLINDER

## 550 077 38

Mannanvarren kierteiden lukitus LtI, kiristys 60 Nm.  
Threads of the piston rod: locking LtI, torque 60 Nm.

Soviterenkaat, osa 13, kiinnitetään silmakkeiden molemmille puolille teraslangalla.  
Fitting rings, part 13, are attached to the both sides of the loops with steel-wire.

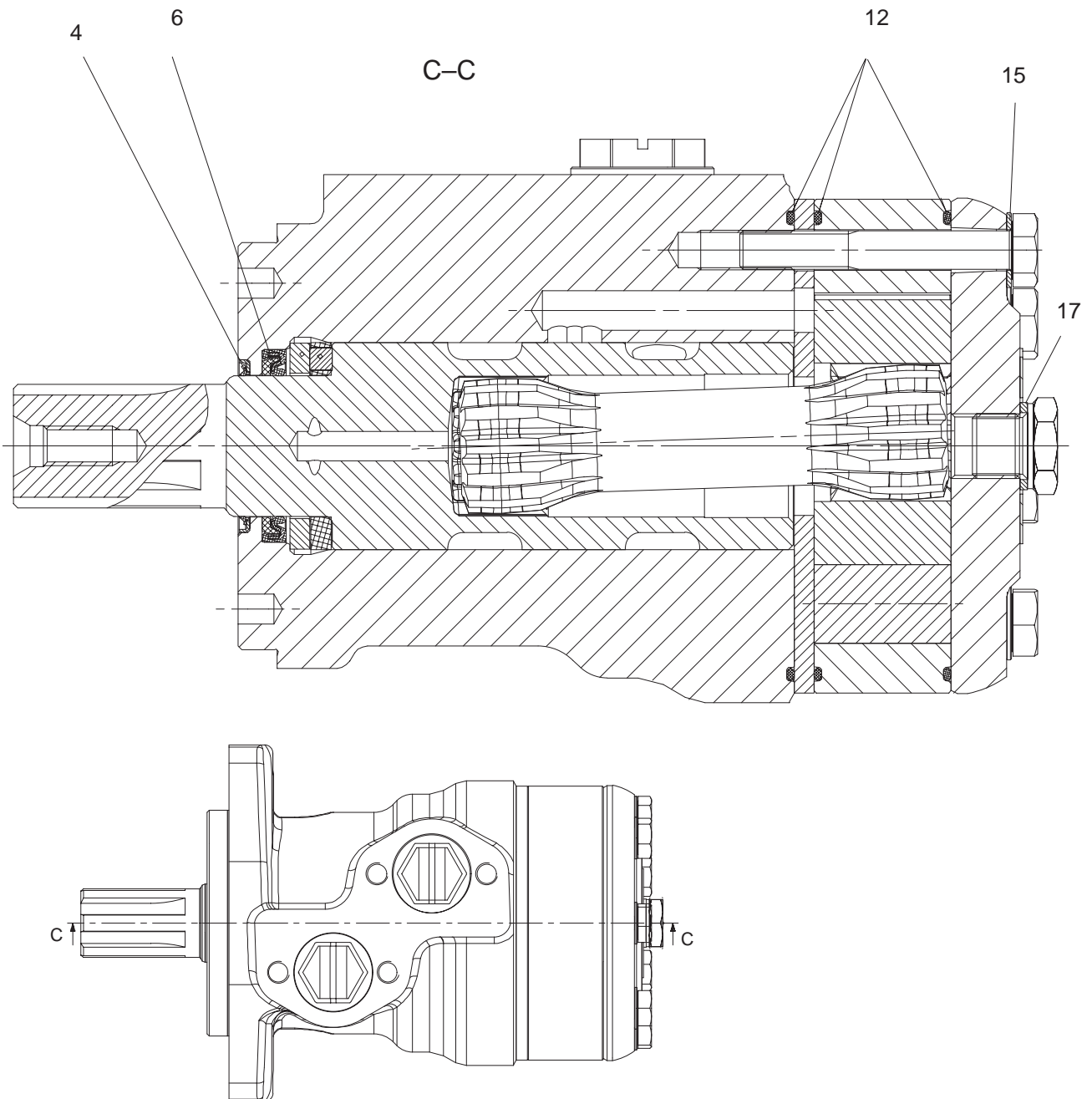


Ref	Part No.	Description	Standard designation	Qty
1	320 812 78	CYLINDER TUBE D40		1
2	049 402 68	TERMINAL		1
3	053 119 58	PISTON ROD		1
4	550 039 78	PISTON	D 40	1
6	054 106 78	COVER		1
7	817 946 19	WIPER	25-6	1
8	155 327 98	GUIDE BAND		1
9	522 131 00	O-RING	34,2X3-1 , NBR , 70 SHORE A	2
10	817 945 99	U-SEAL	25X33X5,7	1
11	422 241 30	CIRCLIP	42X1,75	4
12	850 698 89	SPHERICAL PLAIN BEARING		2
13	049 774 68	RING		4
14	572 102 40	GREASE NIPPLE	AR 1/8	2
15	801 811 49	PLUG	R1/8"	1
16	550 044 68	SLIDE RING	40,0 x 35,0 x 5,6	1
17	550 044 65	PISTON SEAL	40,0 x 29,0 x 4,2 , Wynseal, PU, 93 Shore A	1
21	857 302 19	PLUG	9/16-18JIC	2
22	816 701 89	STRAIGHT THREAD CONNECTOR	9/16-18JIC	2
30	233 107 58	LIMIT BUSHING	D 25/36 , L=8	1

PARTS TO BE ORDERED SEPARATELY:

550 050 69	SEAL KIT	For hydr.syl. D40/25	1
------------	----------	----------------------	---

**GEROTOR**  
 OMR 200  
**550 163 52**



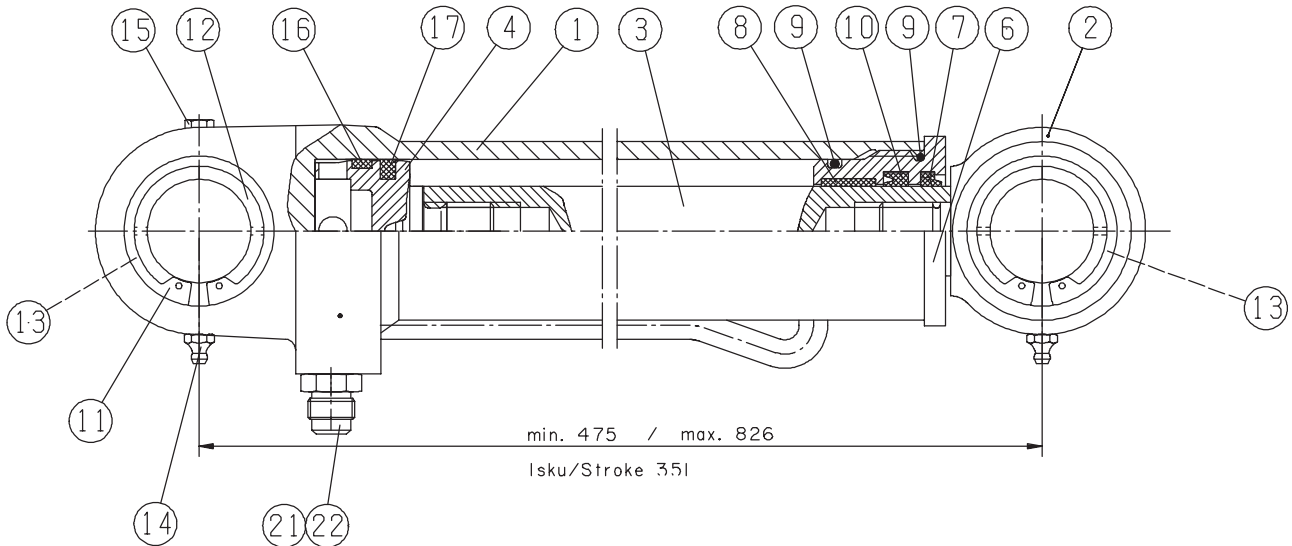
Ref	Part No.	Description	Standard designation	Qty
1	550 163 55	SEAL KIT	INCL. PARTS 4. 6. 12. 15. 17	1
4		DUST SEAL RING	28.56X35X2.2mm	1
6		SAFT SEAL	28.56X39X4.85mm	1
12		O-RING	90X2mm	3
15		WASHERS	8.4mm	7
17		WASHERS	13.5mm	1

# CYLINDER

## 550 077 37

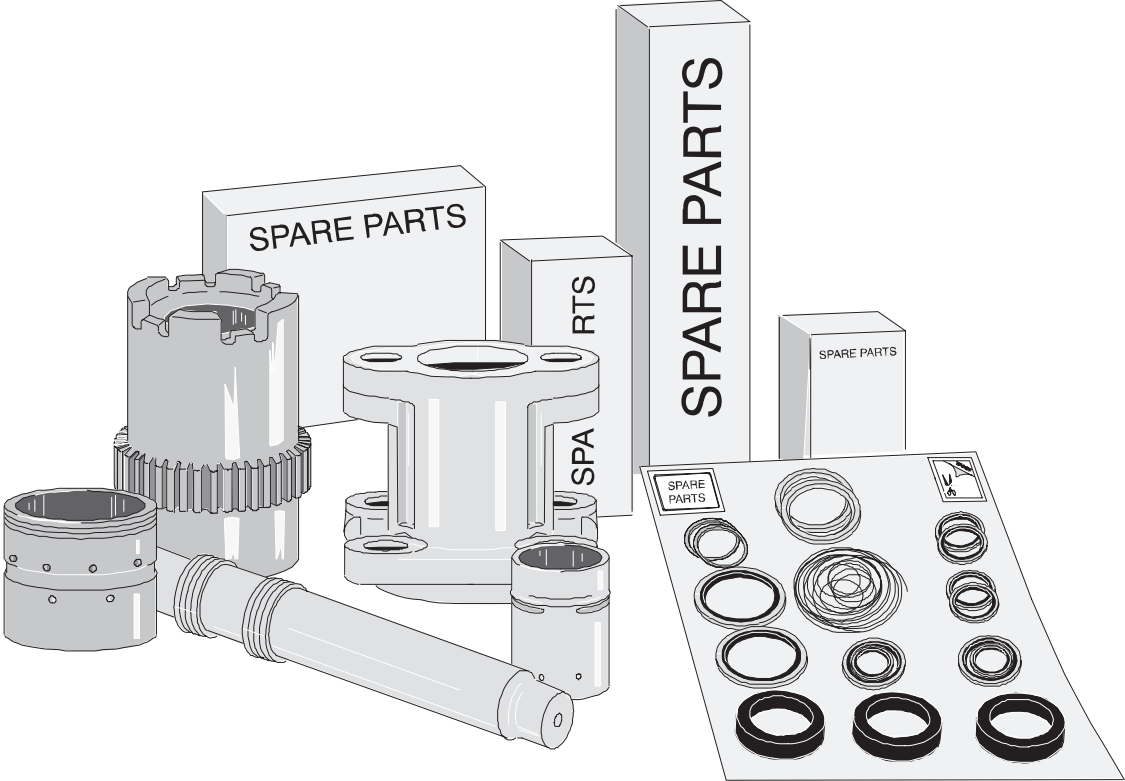
Mannanvarren kierteiden lukitus LtI, kiristys 60 Nm.  
Threads of the piston rod: locking LtI, torque 60 Nm.

Soviterenkaat, osa 13, kiinnitetään silmakkeiden molemmille puolille teraslangalla.  
Fitting rings, part 13, are attached to the both sides of the loops with steel-wire.

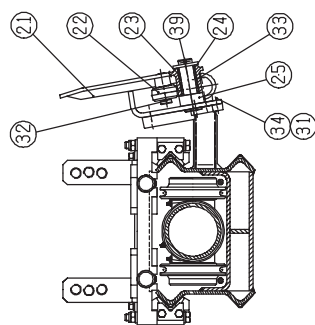
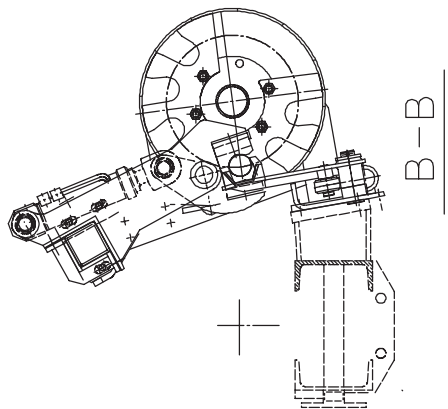
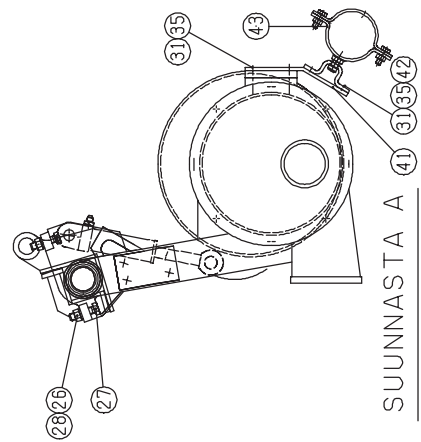
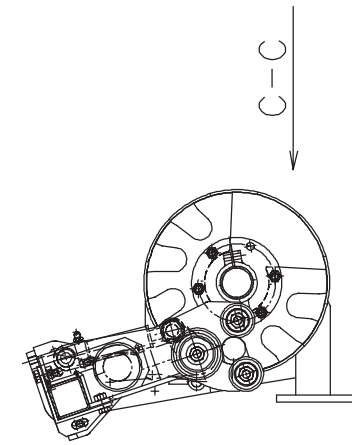
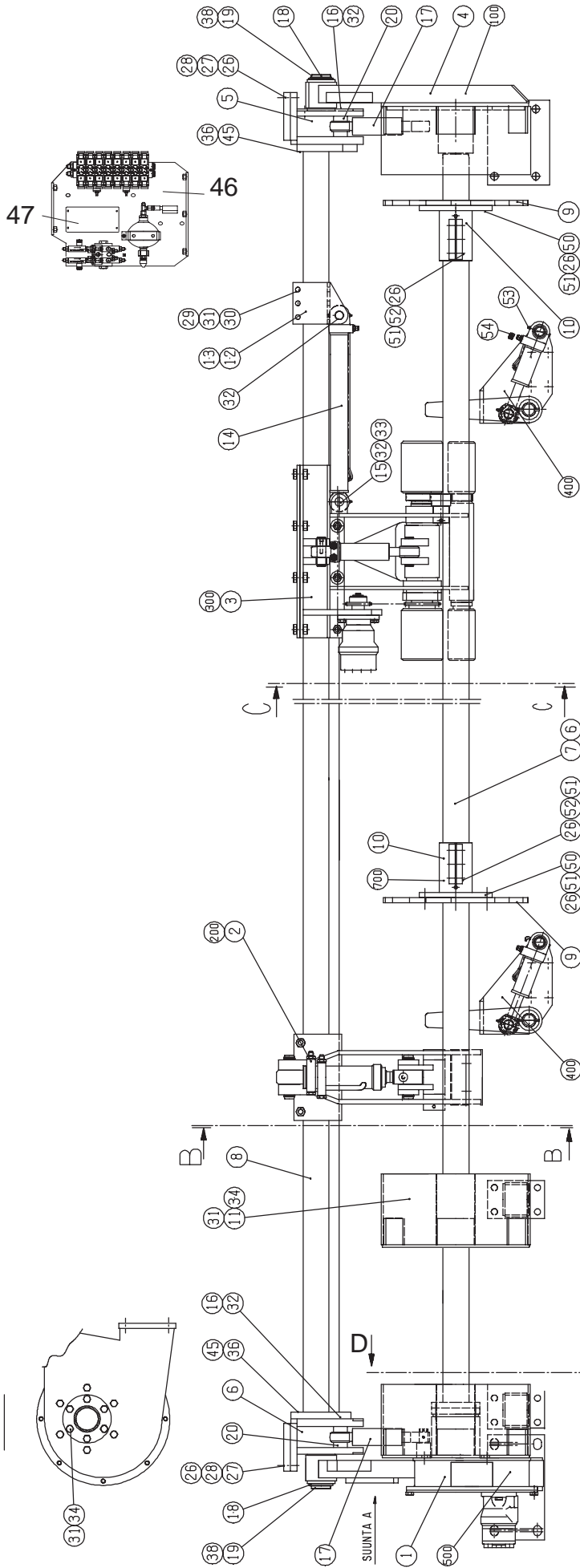


Ref	Part No.	Description	Standard designation	Qty
1	321 127 38	CYLINDER TUBE		1
2	049 402 68	TERMINAL		1
3	053 434 18	PISTON ROD		1
4	550 039 78	PISTON	D 40	1
6	054 106 78	COVER		1
7	817 946 19	WIPER	25-6	1
8	155 327 98	GUIDE BAND		1
9	522 131 00	O-RING	34,2X3-1 , NBR , 70 SHORE A	2
10	817 945 99	U-SEAL	25X33X5,7	1
11	422 241 30	CIRCLIP	42X1,75	4
12	850 698 89	SPHERICAL PLAIN BEARING		2
13	049 774 68	RING		4
14	572 102 40	GREASE NIPPLE	AR 1/8	2
15	801 811 49	PLUG	R1/8"	1
16	550 044 68	SLIDE RING	40,0 x 35,0 x 5,6 Zurcon 61	1
17	550 044 65	PISTON SEAL	40,0 x 29,0 x 4,2 , Wynseal, PU	1
21	857 302 19	PLUG	9/16-18JIC	2
22	816 701 89	STRAIGHT THREAD CONNECTOR	9/16-18JIC	2
PARTS TO BE ORDERED SEPARATELY:				
	550 050 69	SEAL KIT	For hydr.syl. D40/25	1

# SPARE PARTS



D-D



# CLOSING MECHANICS PARTS

## 233 254 48

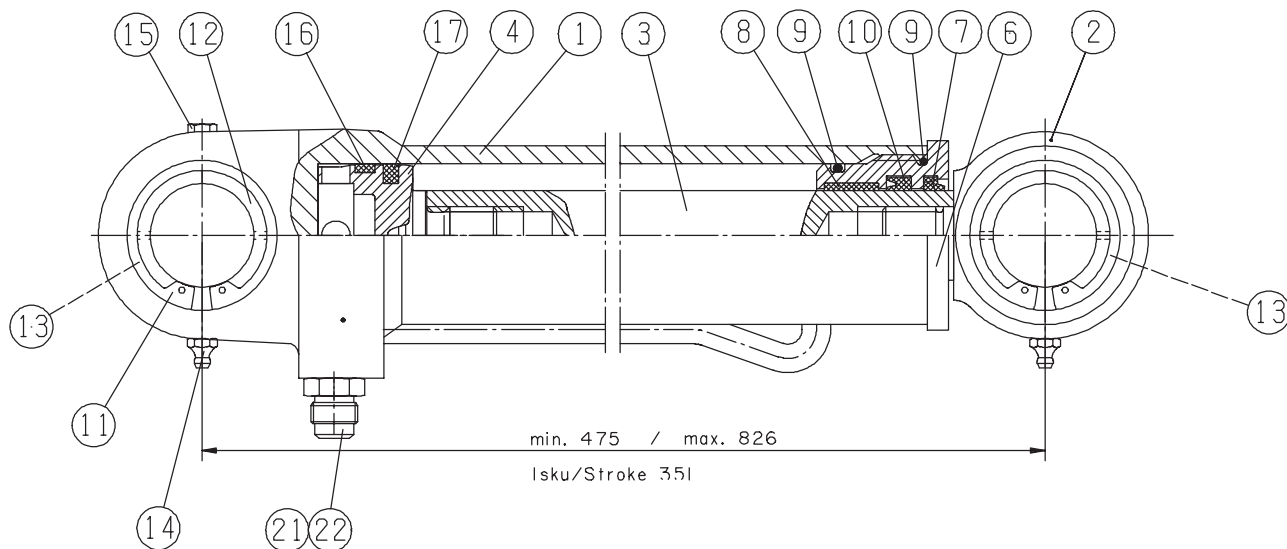
Ref	Part No.	Description	Standard designation	Qty
21	235 751 18	LEVER		1
22	550 077 40	HYDAULIC CYLINDER	SEP. PART LIST	1
23	233 491 58	WASHER		1
24	561 695 08	BEARING BUSHING		2
25	235 750 98	FRAME		1
31	851 068 09	DOUBLE LOCK WASHER	FOR BOLT M12	1
32	422 056 20	CIRCLIP	25X1,2	2
33	572 102 40	GREASE NIPPLE	AR 1/8	1
34	808 997 79	HEXAGON HEAD SCREW (FULL THREAD)	M12X50 – 8.8	1
39	802 646 69	SPRING-TYPEE STRAIGHT PIN	6X60	1
53	572 106 50	GREASE NIPPLE	CR1/8	1
54	817 180 79	SWIVEL NUT ELBOW	9/16–18 JIC	2

# CYLINDER

## 550 077 40

Mannanvarren kierteiden lukitus LtI, kiristys 60 Nm.  
Threads of the piston rod: locking LtI, torque 60 Nm.

Soviterenkaat, osa 13, kiinnitetaan silmakkeiden molemmille puolille teraslangalla.  
Fitting rings, part 13, are attached to the both sides of the loops with steel-wire.

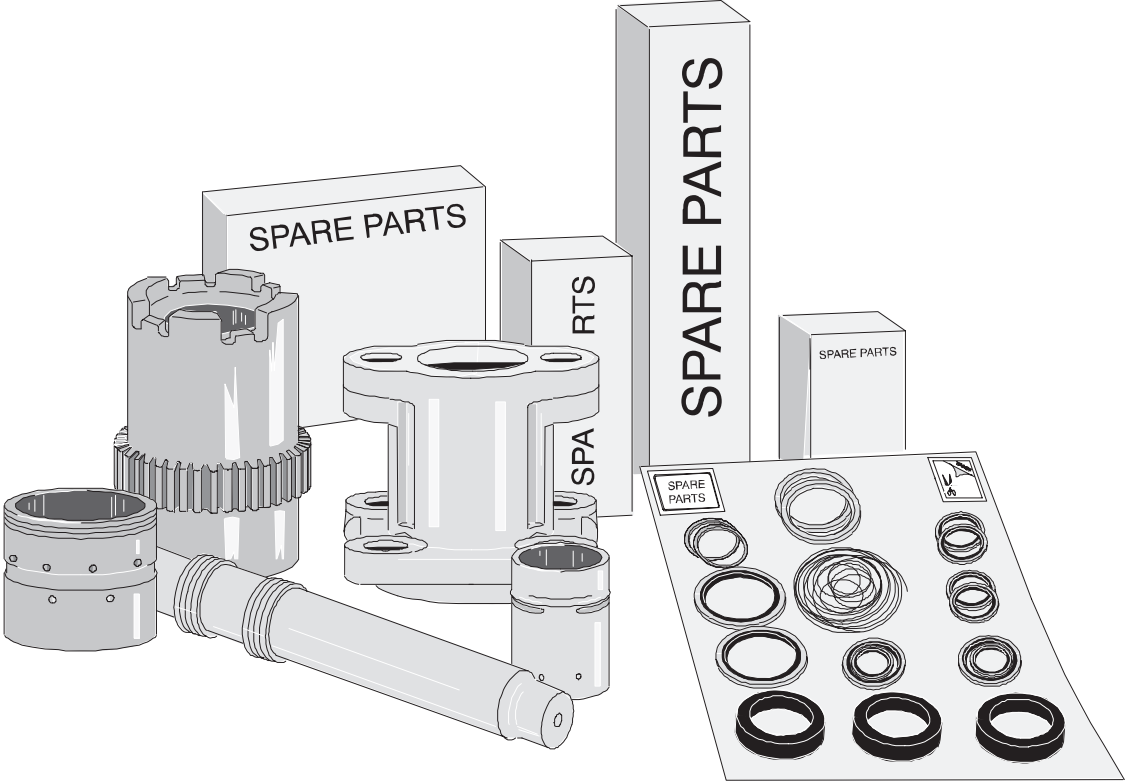


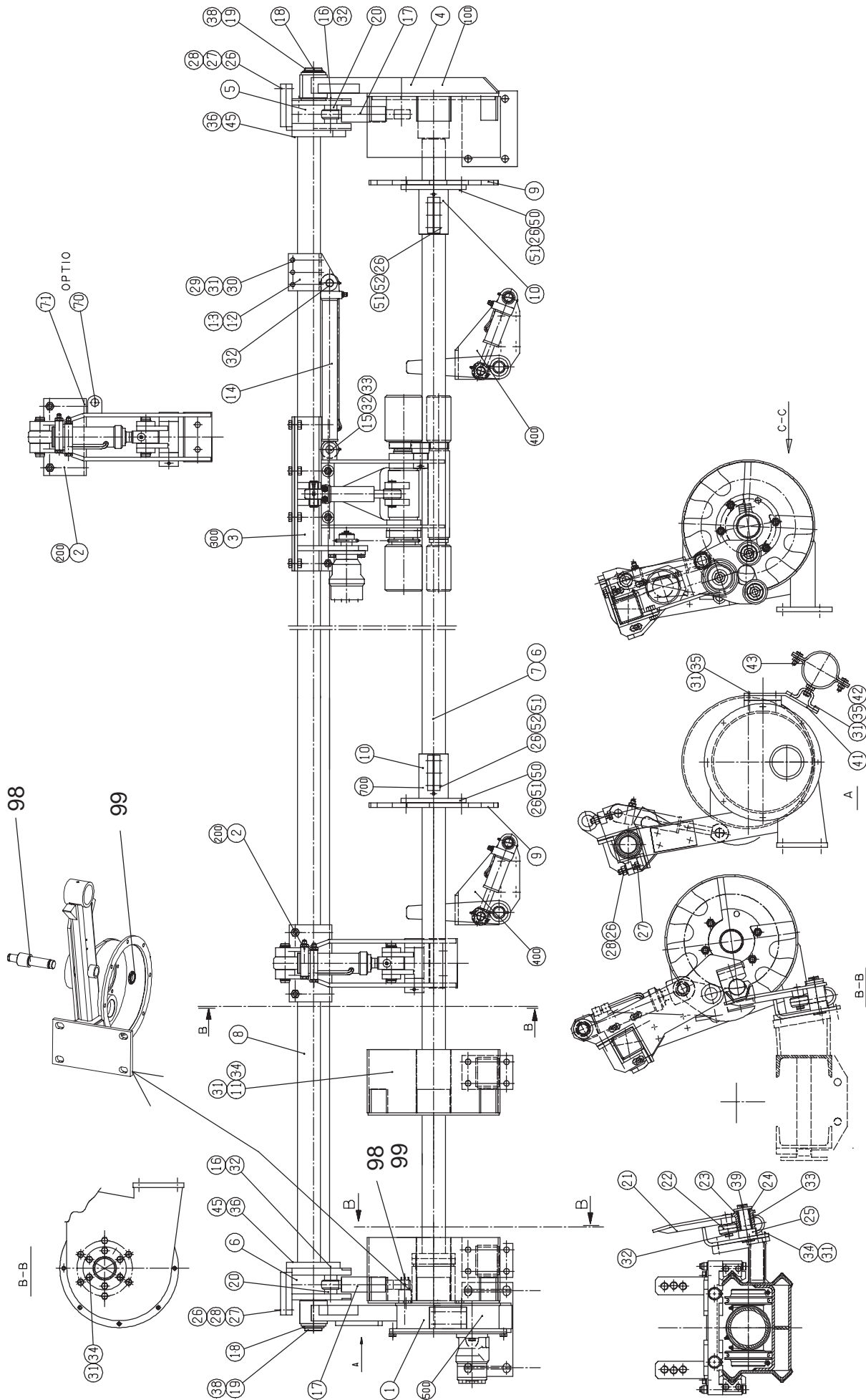
Ref	Part No.	Description	Standard designation	Qty
1	321 128 68	CYLINDER TUBE		1
2	049 402 68	TERMINAL		1
3	054 413 88	PISTON ROD		1
4	550 039 78	PISTON	D 40	1
6	054 106 78	COVER		1
7	817 946 19	WIPER	25-6	1
8	155 327 98	GUIDE BAND		1
9	522 131 00	O-RING	34,2X3-1 , NBR , 70 SHORE A	2
10	817 945 99	U-SEAL	25X33X5,7	1
11	422 241 30	CIRCLIP	42X1,75	4
12	850 698 89	SPHERICAL PLAIN BEARING		2
13	049 774 68	RING	RC 412	4
14	572 102 40	GREASE NIPPLE	AR 1/8	2
15	801 811 49	PLUG	R1/8"	1
16	550 044 68	SLIDE RING	40,0 x 35,0 x 5,6 Zurcon 61	1
17	550 044 65	PISTON SEAL	40,0 x 29,0 x 4,2 , Wynseal, PU, 93 Shore A	1
21	857 302 19	PLUG	9/16-18JIC	2
22	816 701 89	STRAIGHT THREAD CONNECTOR	9/16-18JIC	2

PARTS TO BE ORDERED SEPARATELY:

550 050 69	SEAL KIT	For hydr.syl. D40/25	1
------------	----------	----------------------	---

# SPARE PARTS

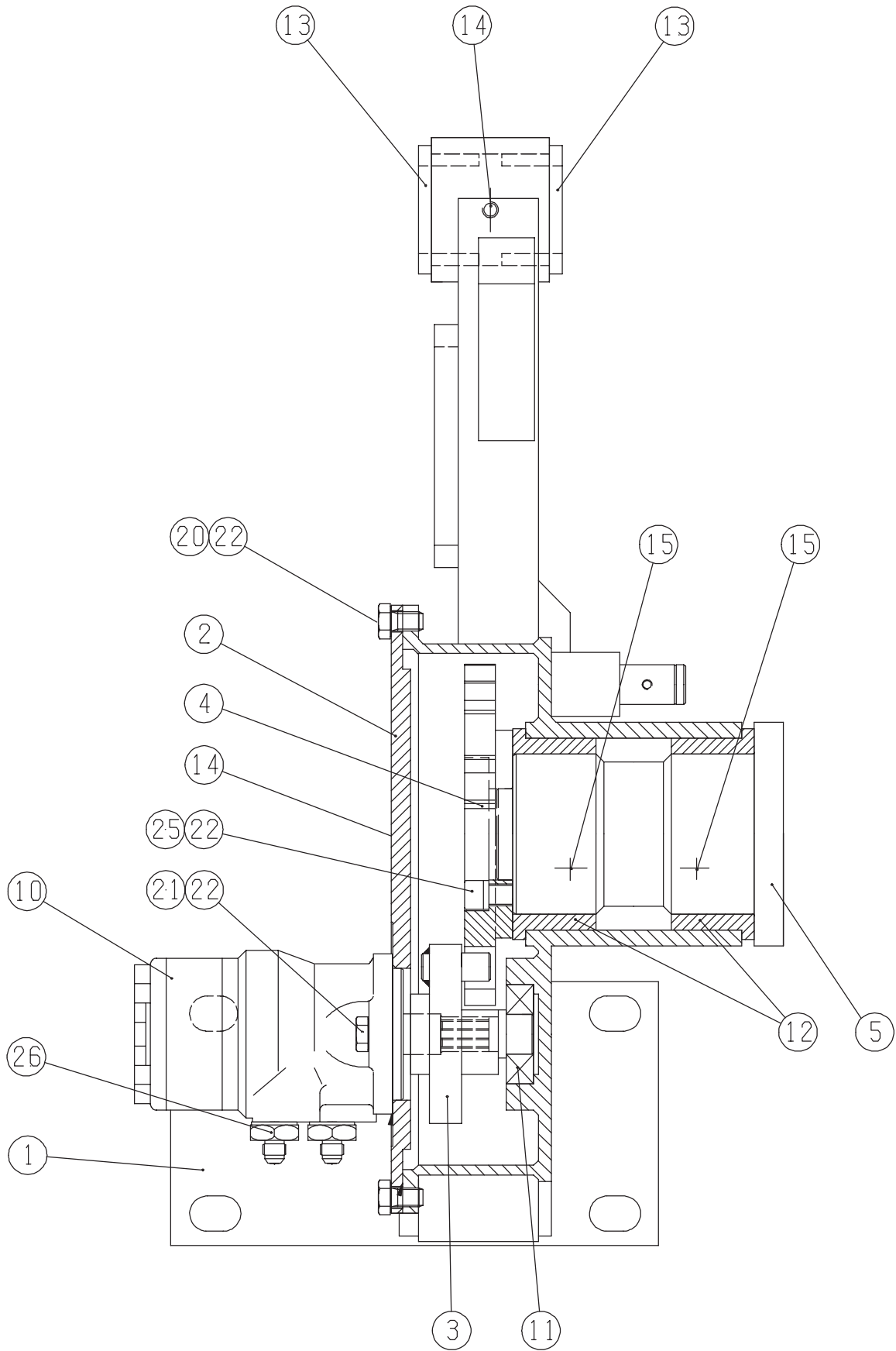




## RC REAR FRAME PARTS

# 233 255 78

Ref	Part No.	Description	Standard designation	Qty
1	258 217 91	ROTATION MECHANISM	SEP. PART LIST	1
6	235 837 97	TILT ARM BUSHING	SEP. PART LIST	1
16	049 769 98	SHAFT		1
17	550 077 36	HYDR.CYLINDER	SEP. PART LIST	1
18	476 694 48	RING		1
19	049 767 38	SHAFT		1
20	133 008 48	RING		2
26	850 687 49	DOUBLE LOCK WASHER	FOR BOLT M16	2
27	801 745 59	HEXAGON HEAD SCREW	M16X60 – 8.8	2
28	800 485 09	HEXAGON NUT	M16 – 8	2
32	422 056 20	CIRCLIP	25X1,2	3
38	422 100 40	CIRCLIP	55X2	1
98	872 525 89	LOCK NUT	(M30X1,5)	1
99	550 531 10	SHAFT	RC 1514	1

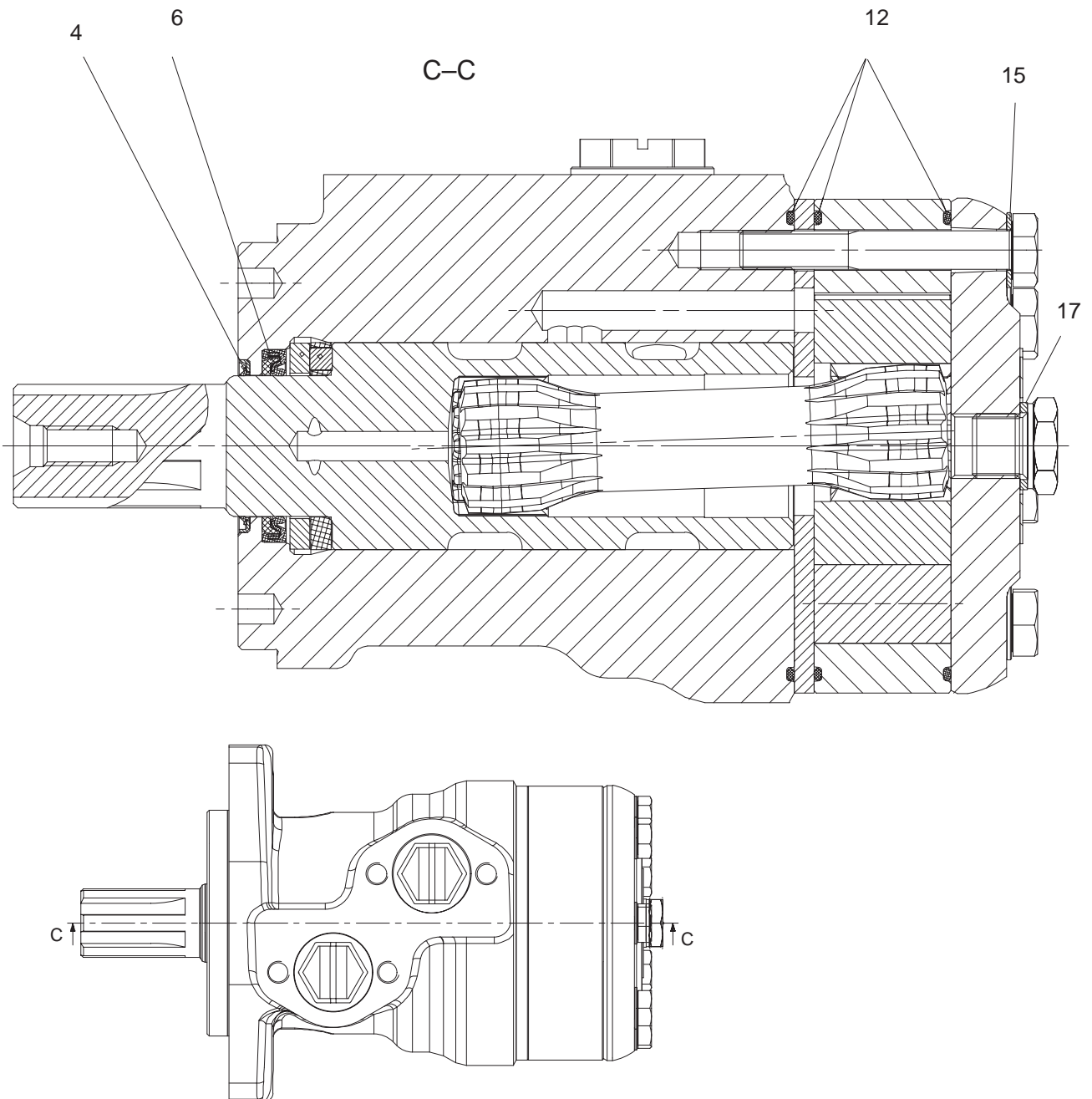


## ROTATION MECHANISM

# 258 217 91

Ref	Part No.	Description	Standard designation	Qty
1	258 196 08	REAR BOX	RC 1514	1
2	237 183 58	COVER	RC XX0	1
3	095 989 68	SWING PIECE		1
4	095 988 38	INDEX PLATE	RC 1500 , RC 1012	1
5	235 644 68	SHAFT	RC XX0	1
10	550 163 53	GEROTOR (OMR 315 serie 6 hydraulic motor)	SEP.PART LIST	1
11	810 073 59	DEEP GROOVE BALL BEARING		1
12	264 742 08	FLANGE BEARING	4-085859 88)	2
13	233 376 48	FLANGE BEARING		2
14	572 102 40	GREASE NIPPLE	AR 1/8	2
15	572 106 50	GREASE NIPPLE	CR 1/8	2
20	800 824 29	HEXAGON HEAD SCREW	M121X25 m8.8 SFS 2064	8
21	800 470 59	HEXAGON HEAD SCREW	M12x30 m8.8 SFS 2064	2
22	851 068 09	DOUBLE LOCK WASHER	FOR BOLT M12	16
25	445 824 40	HEXAGON SOCKET HEAD SCREW	M12X35 m8.8 SFS 2064	6
26	816 702 09	STRAIGHT THREAD CONNECTOR	F40X-S10-1/2"	2

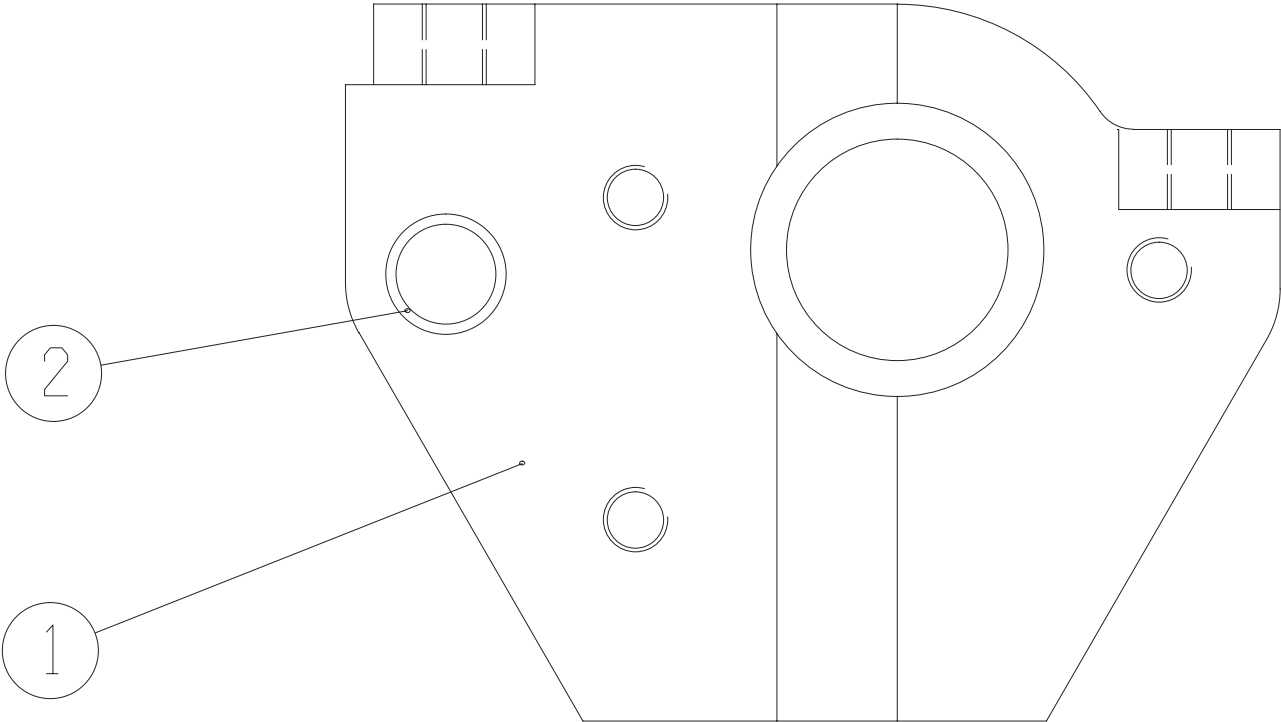
**GEROTOR**  
 OMR 315  
**550 163 53**



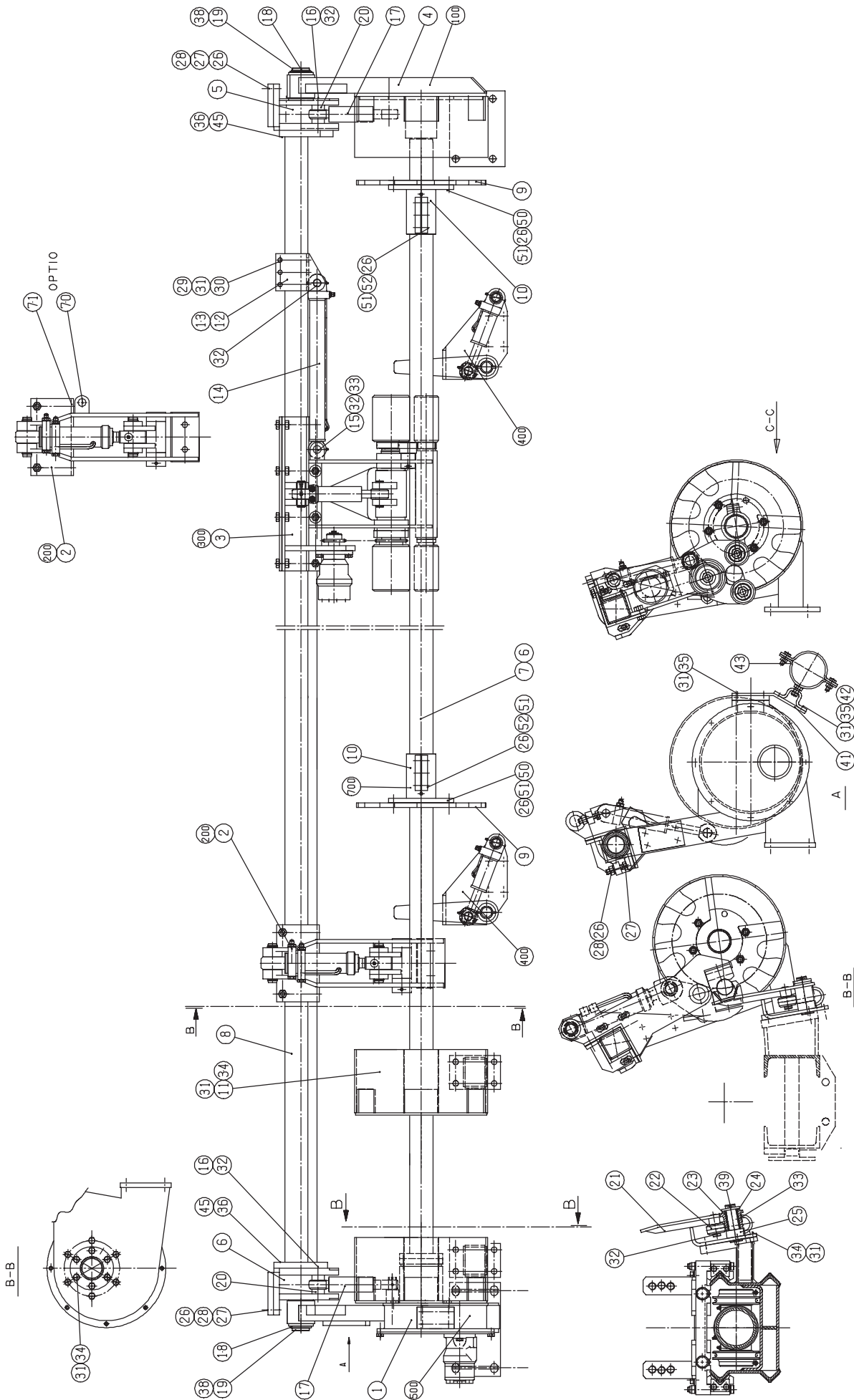
Ref	Part No.	Description	Standard designation	Qty
1	550 163 55	SEAL KIT	INCL. PARTS 4. 6. 12. 15. 17	1
4		DUST SEAL RING	28.56X35X2.2mm	1
6		SAFT SEAL	28.56X39X4.85mm	1
12		O-RING	90X2mm	3
15		WASHERS	8.4mm	7
17		WASHERS	13.5mm	1

**TILT ARM BUSHING**

**235 837 97**



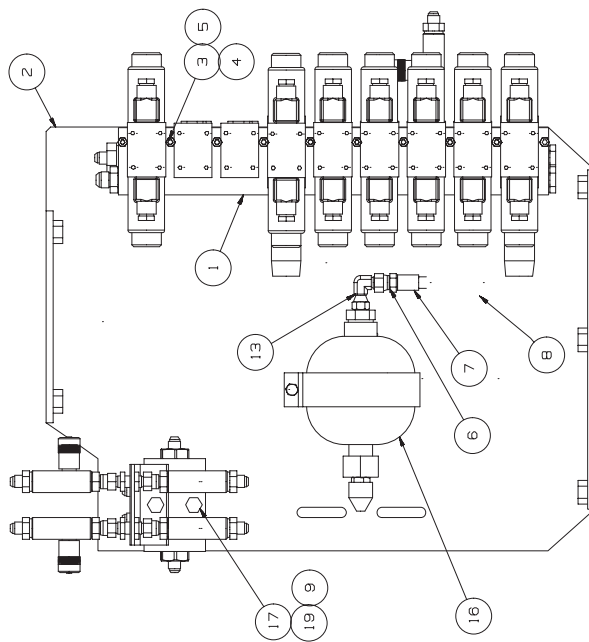
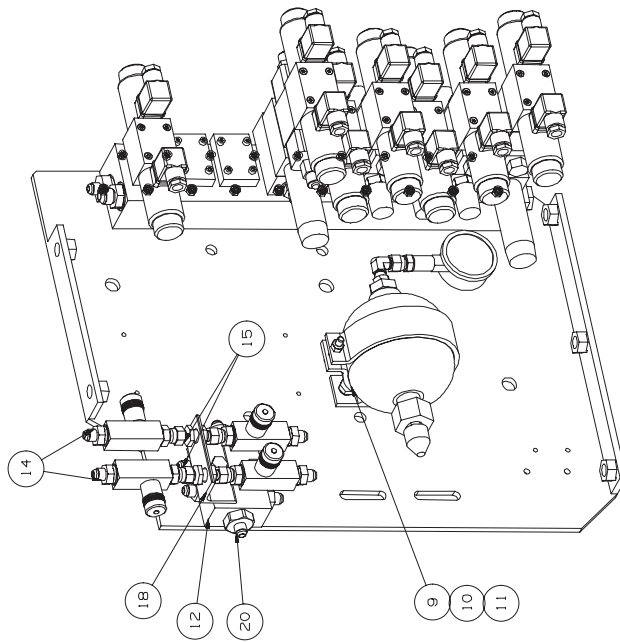
Ref	Part No.	Description	Standard designation	Qty
1	258 204 08	TILT ARM	TOP	1
2	085 546 08	BUSHING, D30/25-20		2



# FEED PLATE ASSY'

## 233 258 58

Ref	Part No.	Description	Standard designation	Qty
9	237 464 48	FEED PLATE	1 3/4"-2"	1
10	237 176 28	CLAMP	RC 1514	1
26	850 687 49	DOUBLE LOCK WASHER	M16	24
50	801 745 59	HEXAGON HEAD SCREW (FULL THREAD)	M16X60 - 8.8	6
51	811 259 69	LOCK NUT	VM16 - 8	18
52	800 437 09	BOLT	M16X65 - 8.8	6



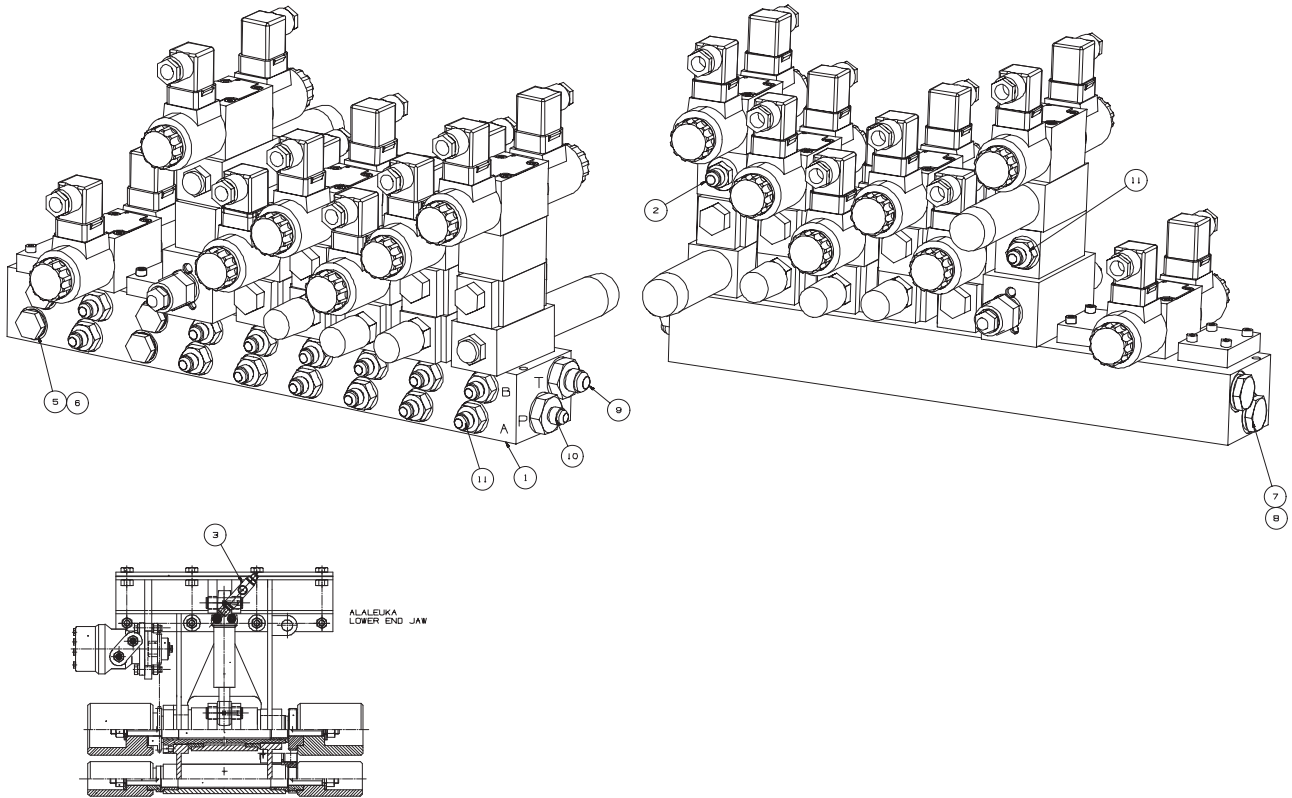
# VALVE ASSEMBLY

## 550 796 74

Ref	Part No.	Description	Standard designation	Qty
1	550 794 12	ADAPTER ASSEMBLY	SEP. PART LIST	1
2	550 750 63	PLATE		1
3	853 326 09	HEXAGON SOCKET HEAD SCREW	M6X75 m8.8	10
4	801 774 59	LOCK NUT	M6	10
5	853 239 79	DOUBLE LOCK WASHER	M6	10
6	816 705 99	SWIVEL NUT MALE ADAPTER	1/4"	1
7	623 104 80	MUFFLE	4	1
8	813 804 69	PRESSURE GAUGE	0-250	1
9	851 282 09	DOUBLE LOCK WASHER	M10	8
10	800 461 79	HEXAGON HEAD SCREW	M10x35 m8.8 SFS 2064	2
11	812 622 69	LOCK NUT	M10 m8 DIN 980	2
12	517 880 33	PILOT OPERATED CHECK VALVE	SEP. PART LIST	1
13	816 722 29	ADAPTER TEE	S6X-S10	1
14	806 981 89	ONE-WAY RESTRICTOR		2
15	858 385 89	SWIVEL NUT MALE ADAPTER	3/8"	2
16	265 572 92	PRESSURE ACCUMALATOR	SEP. PART LIST	1
17	800 528 59	HEXAGON HEAD BOLT	M10x70 - 8.8	2
18	235 887 38	ONE-WAY RESTRICTOR ASSY	SEP. PART LIST	1
19	812 622 69	LOCK NUT	M10 m8 DIN 980	2

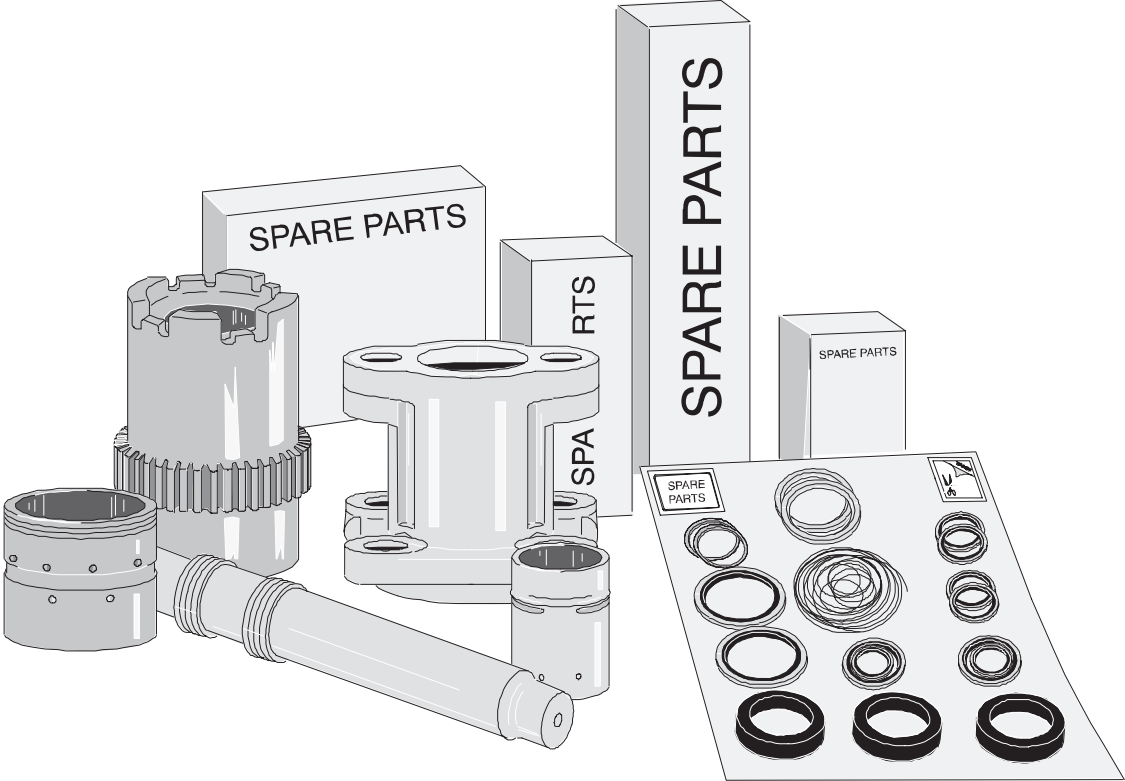
# ADAPTER ASSEMBLY

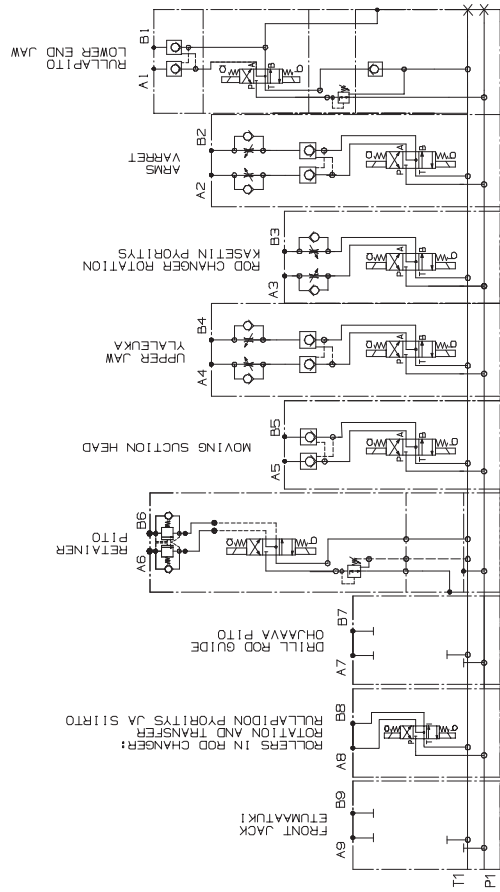
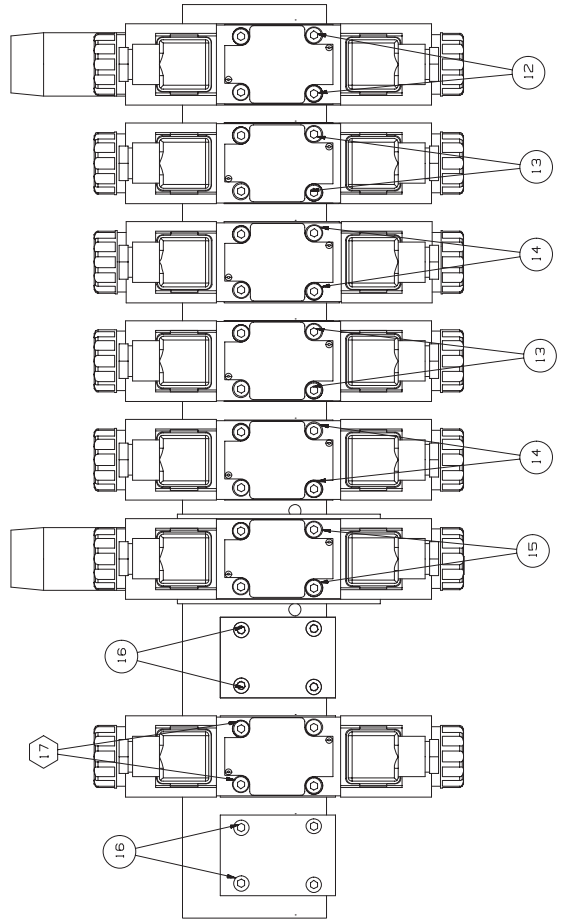
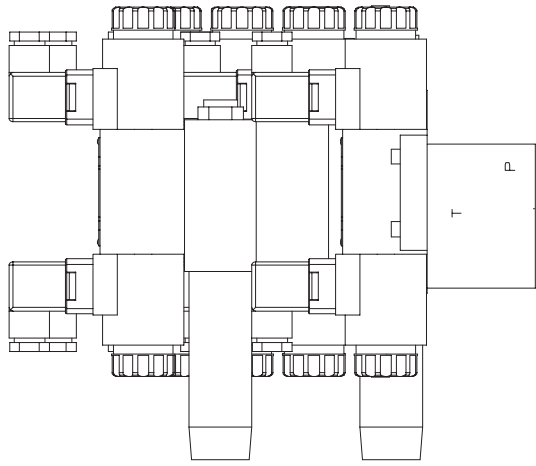
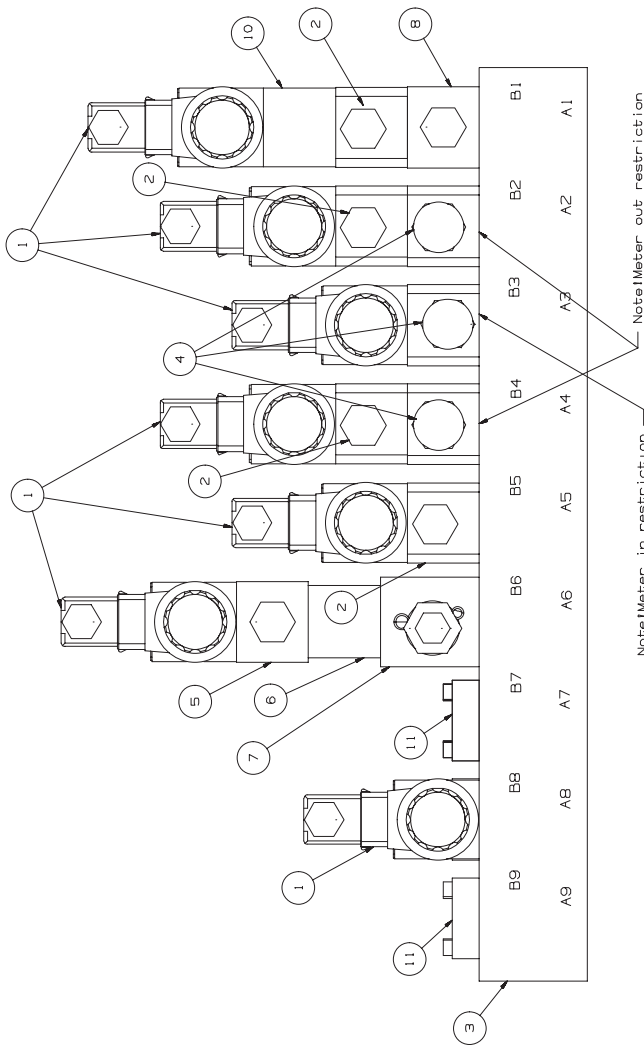
## 550 794 12



Ref	Part No.	Description	Standard designation	Qty
1	550 774 53	VALVE ASSEMBLY	SEP. PART LIST	1
2	816 701 89	STRAIGHT THREAD ADAPTER	40X-S10-1/4"(9/16-18JIC)	1
3	806 981 89	ONE-WAY RESTRICTOR		1
5	801 031 49	USIT-SEAL	U 17,4X24X1,5	4
6	812 604 09	PLUG	R3/8	4
7	800 347 99	USIT-SEAL	U 21,5X28,7X2,5 D2=23,15	2
8	812 605 29	PLUG	139-8 R1/2"	2
9	817 094 69	STRAIGHT THREAD ADAPTER	1/2 x3/4-16 JIC 2063-8-8	1
10	816 702 09	STRAIGHT THREAD ADAPTER	F40X-S10-1/2"	1
11	856 040 09	STRAIGHT THREAD ADAPTER	F40X-S10-3/8	15

# SPARE PARTS





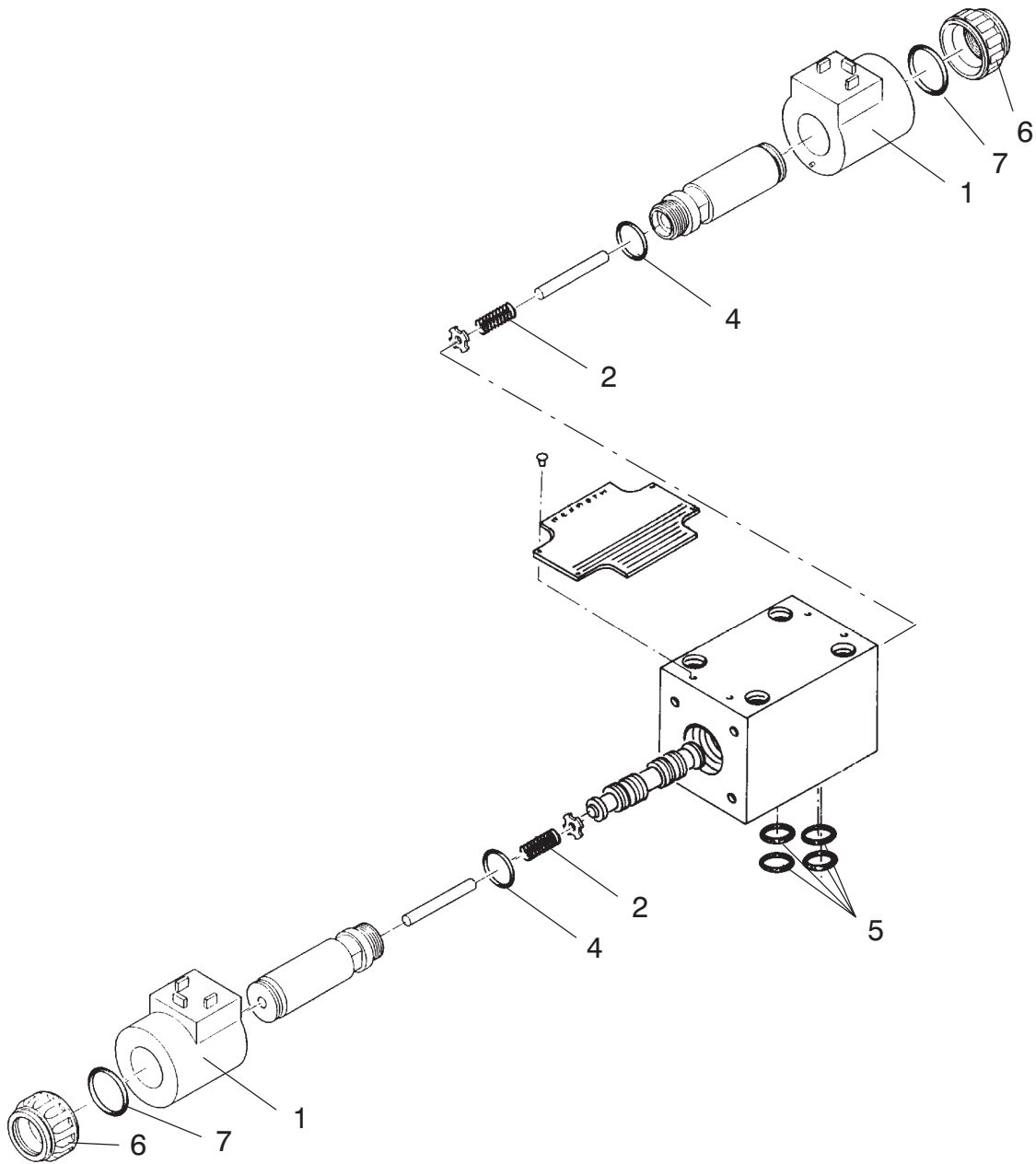
# VALVE ASSEMBLY

## 550 774 53

Ref	Part No.	Description	Standard designation	Qty
1	886 388 29	DIRECTIONAL VALVE	SEP.PART LIST	7
2	858 243 69	PILOT CONTROLLED NON-RETURN VALVE	SEP.PART LIST	4
3	550 770 03	BASE PLATE		1
4	867 381 99	ONE-WAY RESTRICTOR		3
5	871 298 39	PRESSURE REDUCING VALVE		1
6	550 780 30	SECTION		1
7	550 853 83	DOUBLE OVERCENTER VALVE	NG6, 1CE3ON16S5, 160BAR	1
8	871 298 39	PRESSURE REDUCING VALVE		1
10	550 774 28	CHECK VALVE		1
11	871 789 99	COVER PLATE		2
12	550 908 33	HEXAGON SOCKET HEAD BOLT	M5x190 – 12.9	4
13	852 264 59	HEXAGON SOCKET HEAD SCREW	M5X130m10.9 SFS 2219	8
14	819 258 09	HEXAGON SOCKET HEAD SCREW	M5X90 m10.9 DIN 912	8
15	550 908 33	HEXAGON SOCKET HEAD BOLT	M5x190 – 12.9	4
16	853 323 29	HEXAGON SOCKET HEAD SCREW	M5X30 m12.9	8
17	819 257 89	HEXAGON SOCKET HEAD SCREW	M5X50 m10,9 DIN 912	4
		PARTS TO BE ORDERED SEPARATELY:		
100	871 933 39	OVERCENTER VALVE	FOR PART 7	2
101	550 885 94	SECTION	FOR PART 7	1
102	871 694 39	SEAL KIT	FOR PART 100	1

# DIRECTIONAL VALVE

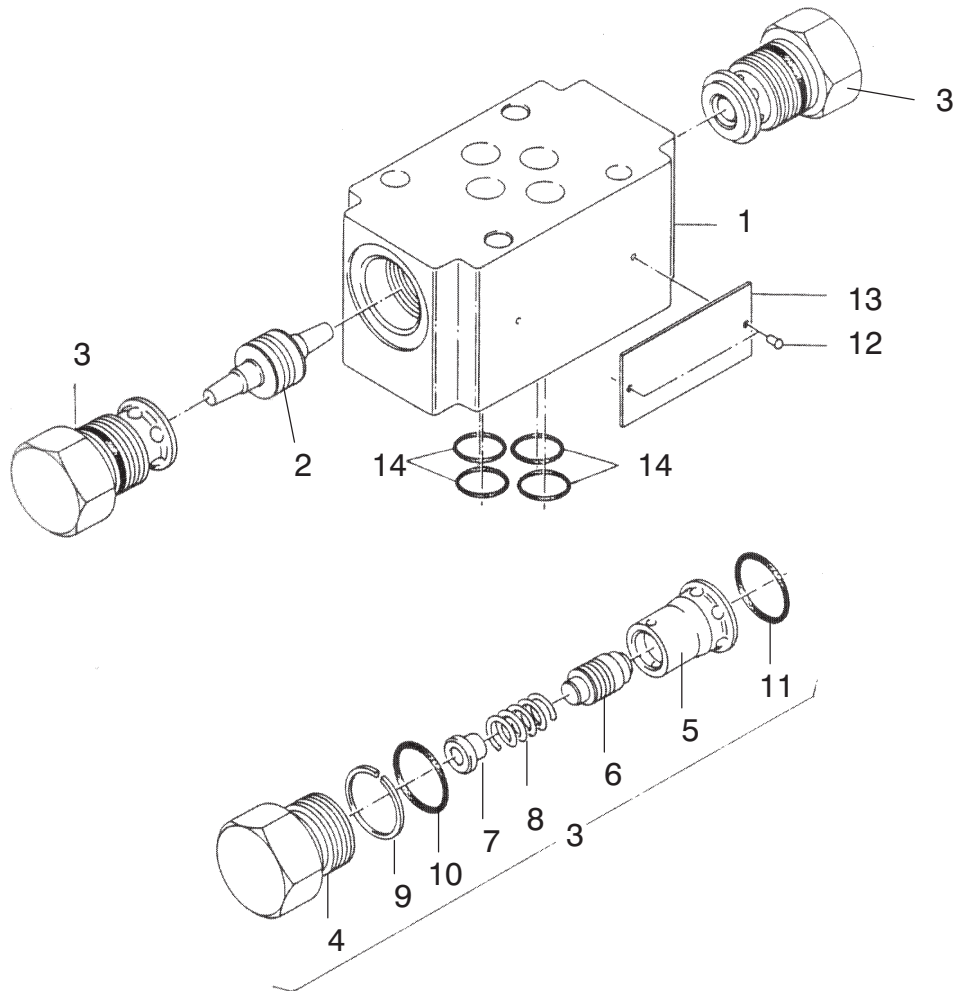
## 886 388 29



Ref	Part No.	Description	Standard designation	Qty
1*	886 391 49	SOLENOID	FOR PART 1	2
2*	851 651 69	SPRING	6,7/1,1X13,9/5	2
3*	886 390 19	SEAL KIT	INCL. PARTS 4, 5	1
6*	887 500 09	NUT	INCL. PART 7	2

# PILOT OPER. NON-RETURN VALVE

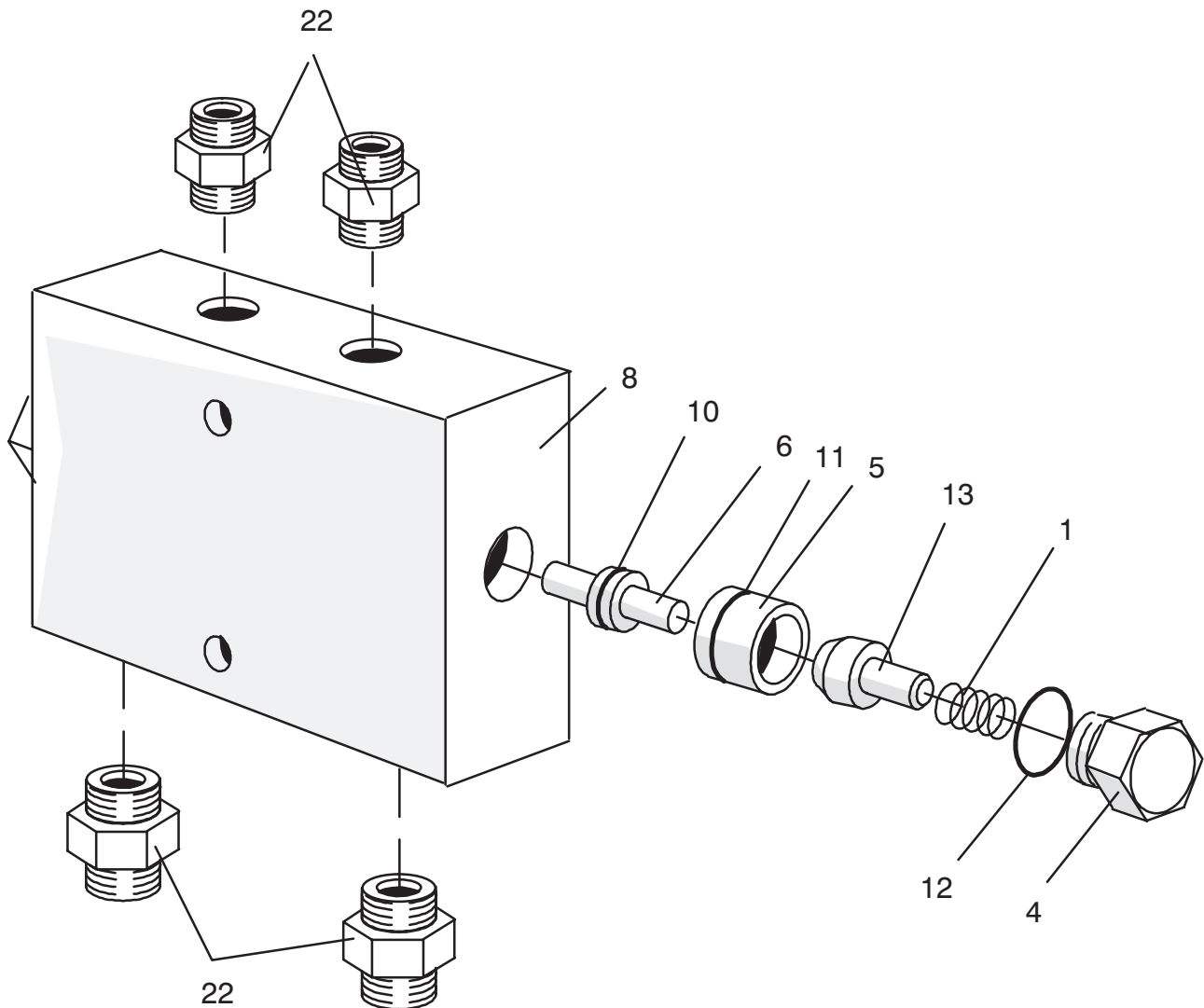
## 858 243 69



Ref	Part No.	Description	Standard designation	Qty
1		HOUSING		1
2		PISTON		1
3		INSERT	INCL.PARTS 4-11	2
4		COVER		2
5		VALVE SEAT		2
6		CONE		2
7		SPRING RETAINER		2
8		COMPRESSION SPRING		2
9		BACK-UP RING	17,91X1,35	2
10		O-RING	17X1,5	2
11		O-RING	14X1,78	2
12		ROUND-HEAD GROVED PIN		2
13		IDENTIFICATION PLATE		1
14		O-RING		4
	882 314 19	SEAL KIT	INCL. PARTS 9-11, 14	1

# PILOT CONTROL NON-RETURN VALVE

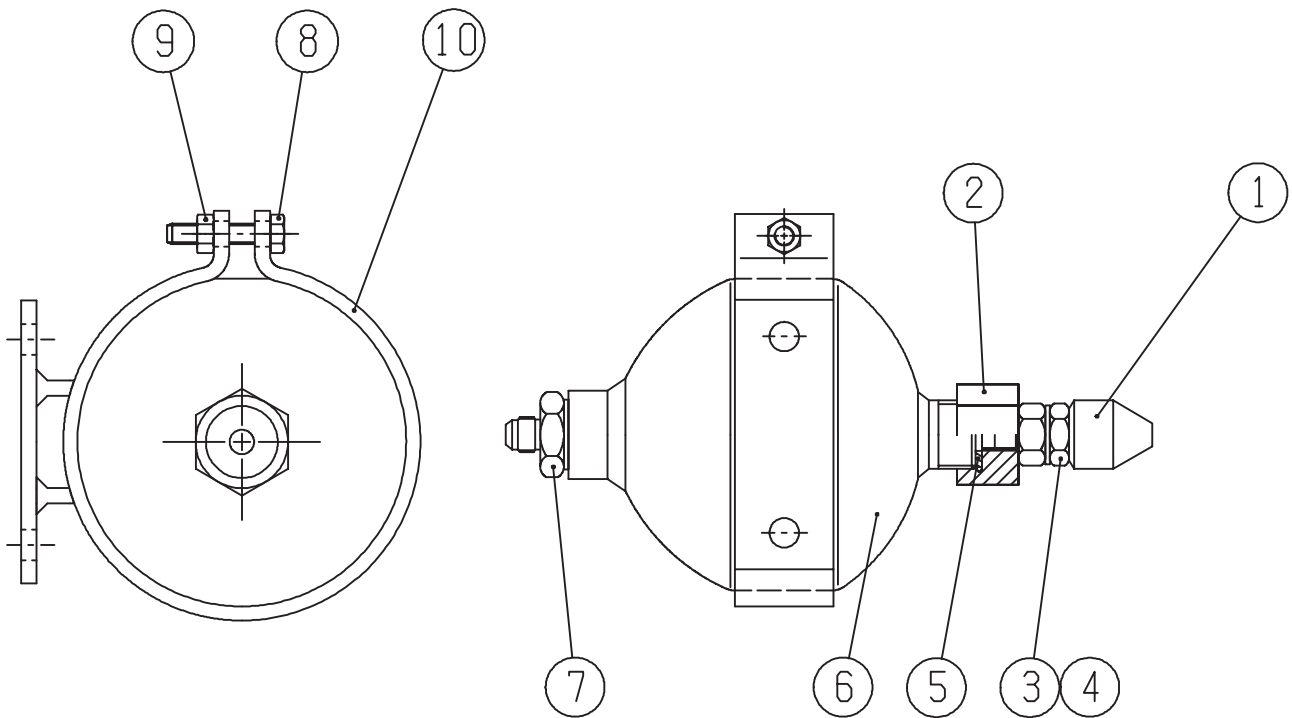
## 517 880 33



Ref	Part No.	Description	Standard designation	Qty
001	500 777 08	SPRING		2
004	048 286 88	PLUG		2
005	049 734 28	VALVE SEAT		2
006	453 787 68	SPINDLE		1
008	517 879 78	BODY		1
010	885 253 29	O-RING	11.3x2.4	1
011	522 067 70	O-RING	17,3X2,4-1	2
012	522 091 30	O-RING	22,2X3-1	2
013	049 735 58	TAPERED PIN		2
022	856 040 09	STRAIGHT THREAD CONNECTOR	9/16-18JIC	4
023	857 302 19	FITTING CAP	9/16-18JIC	4
		PARTS TO BE ORDERED SEPARATELY		
801	882 630 09	REPAIR KIT		0

# PRESSURE ACCUMULATOR

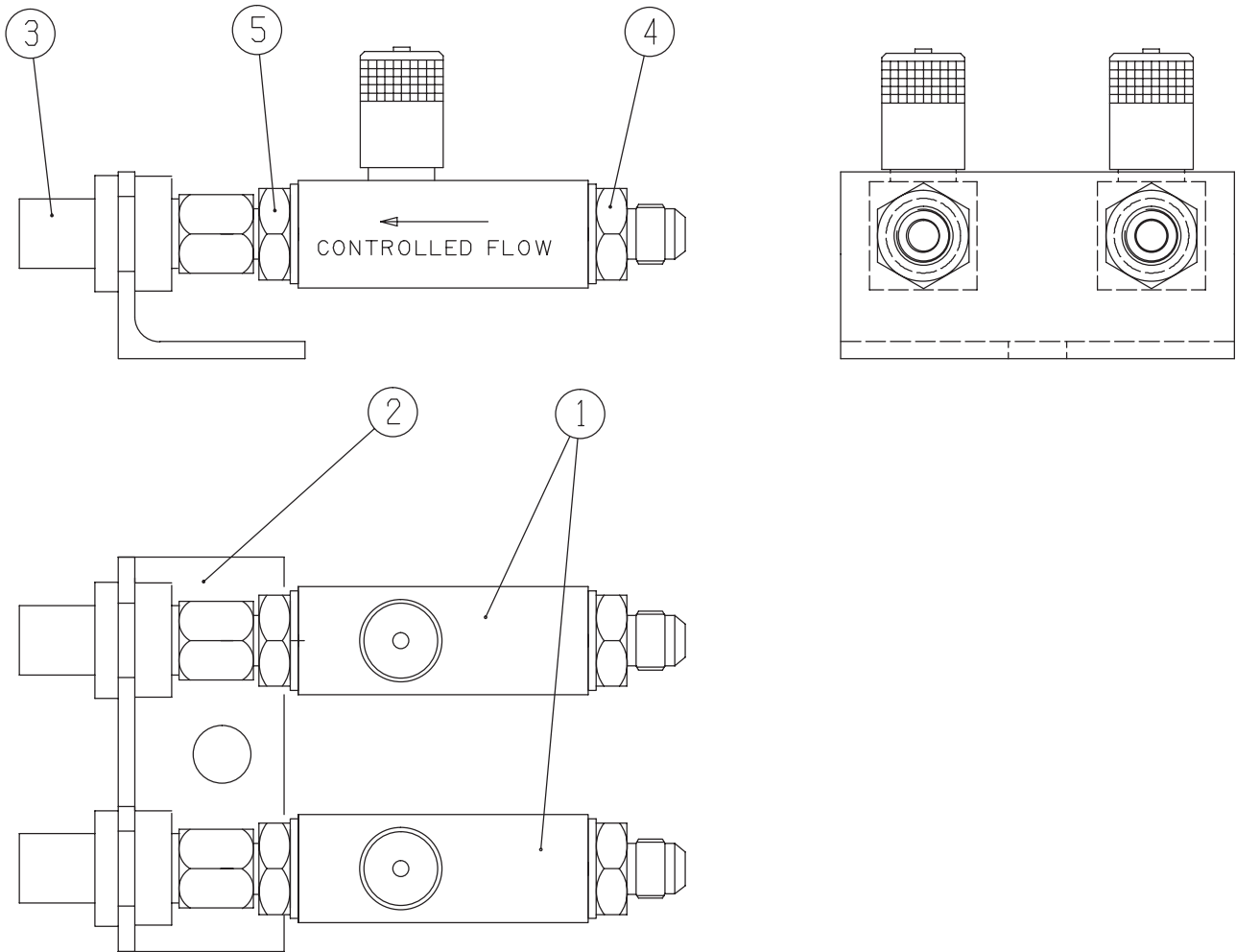
## 265 572 92



Ref	Part No.	Description	Standard designation	Qty
1	085 370 18	CAP		1
2	156 959 48	REDUCING PIECE		1
3	807 590 69	VALVE		1
4	808 010 69	O-RING	OR 14,00X1,78 SIMRIT	1
5	850 819 99	CU-GASKET	13/26X1,5	1
6	884 268 69	PRESSURE ACCUMULATOR	0531 602 611	1
7	816 702 09	STRAIGHT THREAD CONNECTOR	F40X-S10-1/2"(9/16-18JIC)	1
8	810 468 99	BOLT	SFS-ISO 4017 M8X40-8.8	1
9	801 779 99	NUT	M8 m8 DIN 985	1
10	265 571 68	PRESSURE ACCUMULATOR SUPPORT		1

# ONE-WAY RESTRICTOR ASSY

## 235 887 38



Ref	Part No.	Description	Standard designation	Qty
1	806 981 89	ONE-WAY RESTRICTOR	9F-600-S-10	2
2	235 886 08	BRACKET		1
3	817 238 79	BULKHEAD ADAPTER	(9/16-18JIC)	2
4	856 040 09	STRAIGHT THREAD CONNECTOR	(9/16-18JIC)	2
5	858 385 89	SWIVEL NUT MALE ADAPTER	(9/16-18JIC)	2